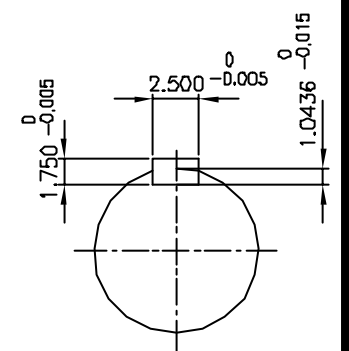
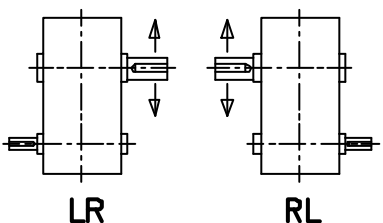


INPUT SHAFT



OUTPUT SHAFT



SHAFT ARRANGEMENT & DIRECTION of ROTATION

REV	DESCRIPTION	APPR	CHK	DRWN	DATE
△					
△					
△					
△					
△					

TYPE SHD 56 ($i = 112 \sim 280$)				DWG. NAME DIMENSION			
APPROV	CHECK	DESIGN	DRAWN	THIRD ANGLE PROJECTION	SCALE	1 / 14	DATE 1998.11.26.
L.H.Y	M.B.U	K.Y.S		REF DWG NO.			
HYOSUNG INDUSTRIES CO.,LTD.				DWG NO.	S K E N 5 9 5 H 5 0		