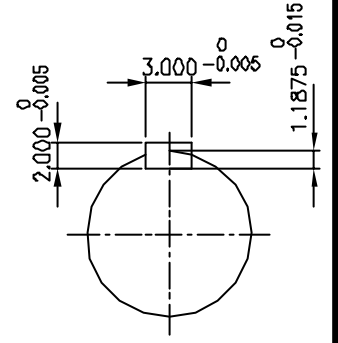
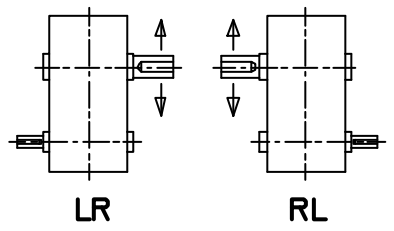


INPUT SHAFT



OUTPUT SHAFT



SHAFT ARRANGEMENT & DIRECTION of ROTATION

REV	DESCRIPTION	APPR	CHCK	DRWN	DATE
△					
△					
△					
△					
△					

TYPE				DWG. NAME			
SHD 71 (i = 112 ~ 280)				DIMENSION			
APPROV	CHECK	DESIGN	DRAWN	THIRD ANGLE PROJECTION	SCALE	1/19	DATE 1998.11.26.
L.H.Y	M.B.U	K.Y.S		REF DWG NO.			
HYOSUNG INDUSTRIES CO., LTD.				DWG NO.	SKEN 601 H50		