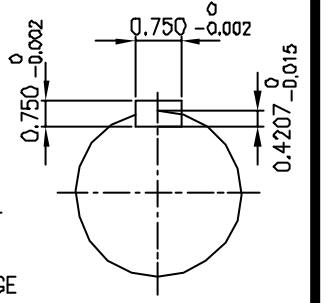
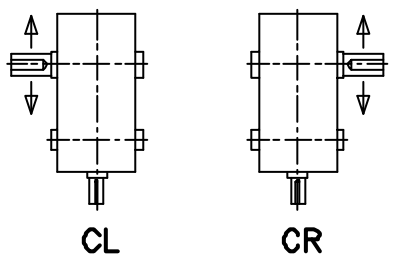


INPUT SHAFT



OUTPUT SHAFT



SHAFT ARRANGEMENT & DIRECTION of ROTATION

REV	DESCRIPTION	APPR	CHK	DRWN	DATE
△					
△					
△					
△					
△					

TYPE		SKB 18 (i = 11.2~ 18)		DWG. NAME			DIMENSION		
APPROV	CHECK	DESIGN	DRAWN	THIRD ANGLE PROJECTION	SCALE	1	5	DATE	1998.11.26
L.H.Y	M.B.U	C.J.H.		REF DWG NO.					
HYOSUNG INDUSTRIES CO.,LTD.				DWG NO.	SKEN604 OSH				