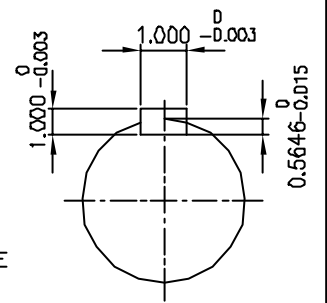
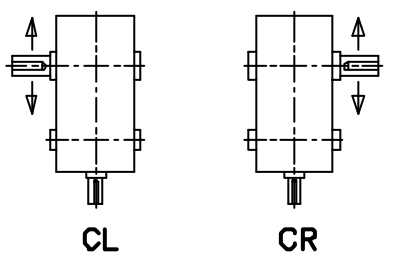


INPUT SHAFT



OUTPUT SHAFT



SHAFT ARRANGEMENT & DIRECTION of ROTATION

REV	DESCRIPTION	APPR	CHCK	DRWN	DATE
△					
△					
△					
△					

TYPE SKB 22 (i = 11.2 ~ 18)				DWG. NAME DIMENSION			
APPROV	CHECK	DESIGN	DRAWN	THIRD ANGLE PROJECTION	SCALE 1/6	DATE 1998.11.26	
L.H.Y	M.B.U	C.J.H.		REF DWG NO.			
HYOSUNG INDUSTRIES CO.,LTD.				DWG NO.	SKEN606 HS		