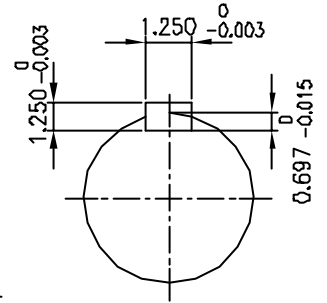
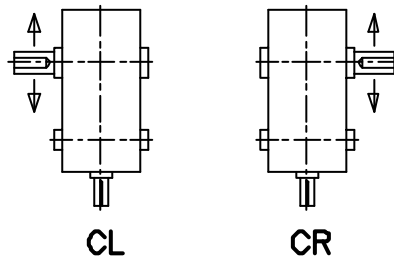


**INPUT SHAFT**



**OUTPUT SHAFT**



**SHAFT ARRANGEMENT & DIRECTION of ROTATION**

REV	DESCRIPTION	APPR	CHCK	DRWN	DATE
△					
△					
△					
△					
△					

TYPE				DWG. NAME			
<b>SKB 32</b> (i = 11.2 ~ 18)				<b>DIMENSION</b>			
APPROV	CHECK	DESIGN	DRAWN	THIRD ANGLE PROJECTION	SCALE	1 / 8.5	DATE 1998.11.26
L.H.Y	M.B.U	C.J.H		REF DWG NO.			
HYOSUNG INDUSTRIES CO.,LTD.				DWG NO.	<b>S K E N 6 1 0</b> HSO		