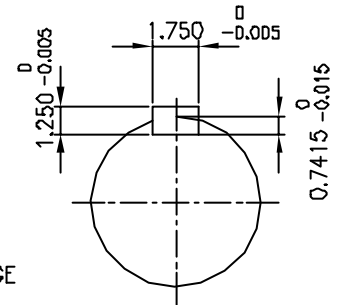
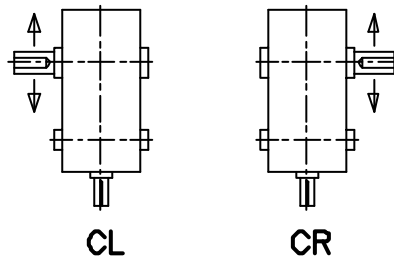


INPUT SHAFT



OUTPUT SHAFT



SHAFT ARRANGEMENT & DIRECTION of ROTATION

REV	DESCRIPTION	APPR	CHCK	DRWN	DATE
△					
△					
△					
△					
△					

TYPE				DWG. NAME			
SKB 38 (i = 11.2~18)				DIMENSION			
APPROV	CHECK	DESIGN	DRAWN	THIRD ANGLE PROJECTION	SCALE	DATE	1998.11.26
L.H.Y	M.B.U	C.J.H.		REF DWG NO.	1/10		
HYOSUNG INDUSTRIES CO.,LTD.				DWG NO.	S K E N 6 1 2 HSO		