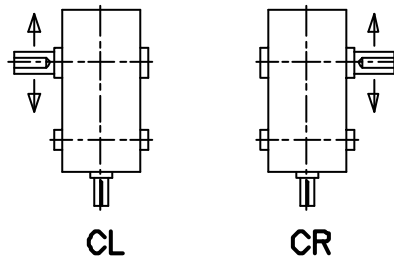
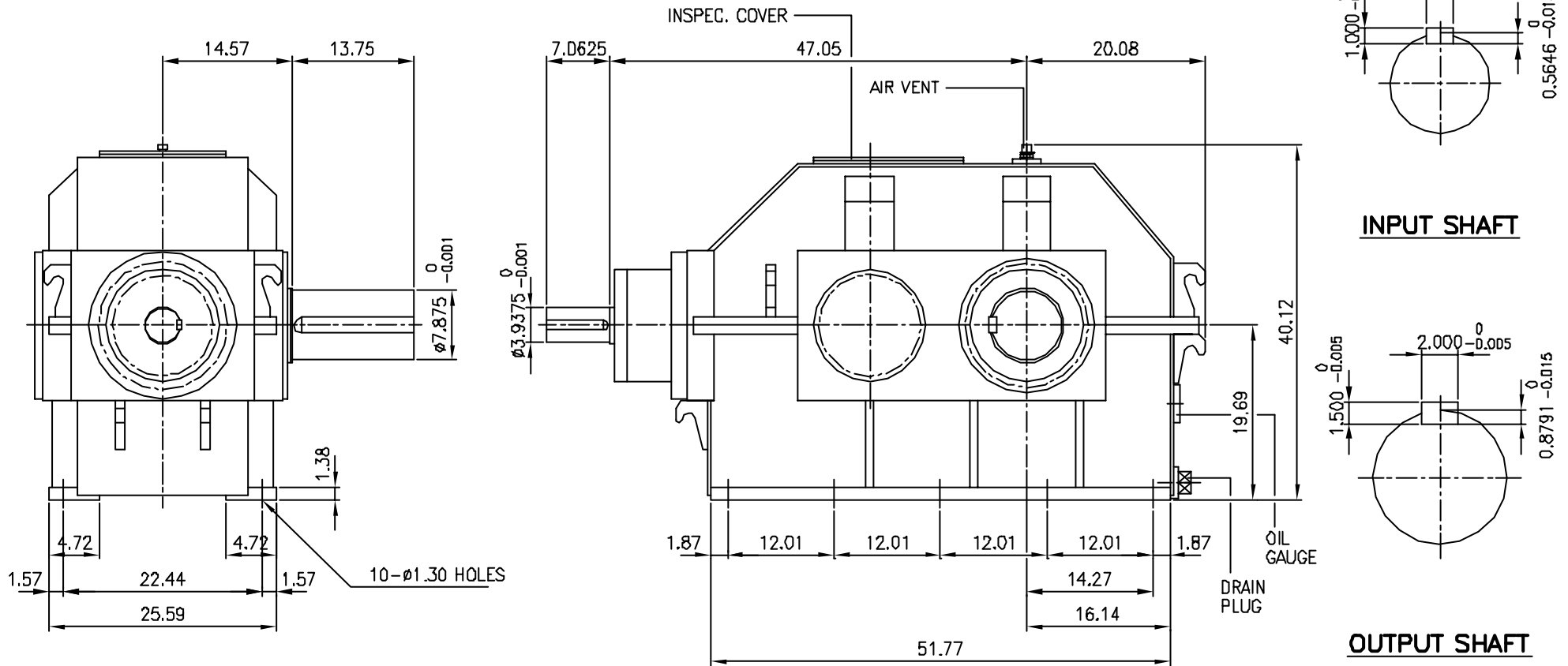


DWG NO.

S K E N 6 1 3

H S O



SHAFT ARRANGEMENT & DIRECTION of ROTATION

REV	DESCRIPTION	APPR	CHCK	DRWN	DATE
△					
△					
△					
△					
△					

TYPE		SKB 45 (i = 5.6 ~ 10)		DWG. NAME			DIMENSION		
APPROV	CHECK	DESIGN	DRAWN	THIRD ANGLE PROJECTION	SCALE	1 / 12	DATE 1998.11.26		
L.H.Y	M.B.U	C.J.H.		REF DWG NO.					
HYOSUNG INDUSTRIES CO.,LTD.				DWG NO.	S K E N 6 1 3			H S O	