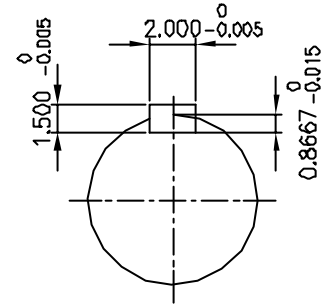
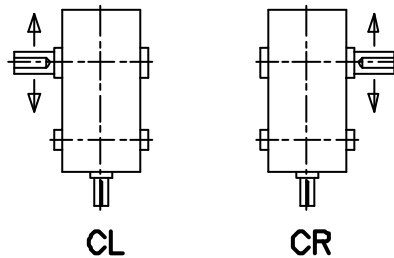


**INPUT SHAFT**



**OUTPUT SHAFT**



**SHAFT ARRANGEMENT & DIRECTION of ROTATION**

| REV | DESCRIPTION | APPR | CHCK | DRWN | DATE |
|-----|-------------|------|------|------|------|
| △   |             |      |      |      |      |
| △   |             |      |      |      |      |
| △   |             |      |      |      |      |
| △   |             |      |      |      |      |
| △   |             |      |      |      |      |

|                                 |       |        |       |                        |                          |        |                 |
|---------------------------------|-------|--------|-------|------------------------|--------------------------|--------|-----------------|
| TYPE                            |       |        |       | DWG. NAME              |                          |        |                 |
| <b>SKB 50</b><br>(i = 11.2~ 18) |       |        |       | <b>DIMENSION</b>       |                          |        |                 |
| APPROV                          | CHECK | DESIGN | DRAWN | THIRD ANGLE PROJECTION | SCALE                    | 1 / 14 | DATE 1998.11.26 |
| L.H.Y                           | M.B.U | C.J.H. |       | REF DWG NO.            |                          |        |                 |
| HYOSUNG INDUSTRIES CO.,LTD.     |       |        |       | DWG NO.                | <b>S K E N 6 1 6</b> HSO |        |                 |