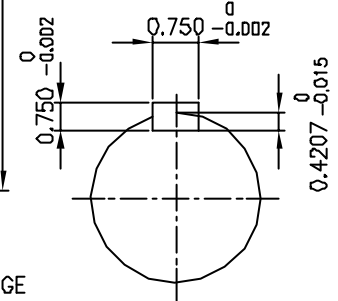
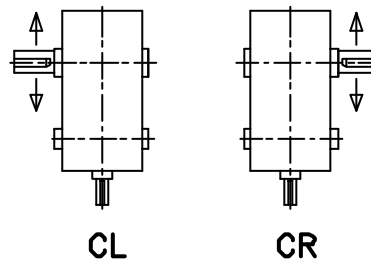


**INPUT SHAFT**



**OUTPUT SHAFT**

DRAIN PLUG



**SHAFT ARRANGEMENT & DIRECTION of ROTATION**

REV	DESCRIPTION	APPR	CHCK	DRWN	DATE
△					
△					
△					
△					
△					

TYPE <b>SKC18</b> (i = 45 ~ 80)				DWG. NAME <b>DIMENSION</b>		
APPROV	CHECK	DESIGN	DRAWN	THIRD ANGLE PROJECTION	SCALE 1/5	DATE 1998. 11. 26
L.H.Y	M.B.U	K.S.C		REF DWG NO.		
HYOSUNG CORPORATION				DWG NO.	<b>S K E N 6 2 2</b> H S O	