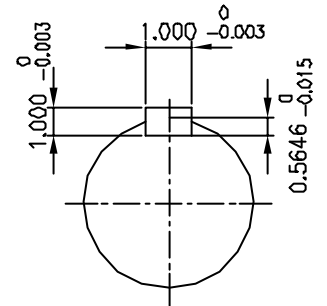
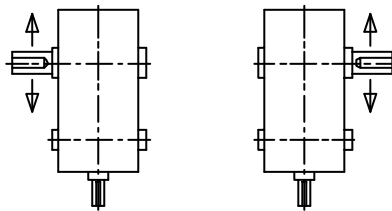


INPUT SHAFT



OUTPUT SHAFT



CL CR
SHAFT ARRANGEMENT & DIRECTION of ROTATION

REV	DESCRIPTION	APPR	CHCK	DRWN	DATE
△					
△					
△					
△					
△					

TYPE		SKC22 (i = 20 ~ 40)		DWG. NAME			DIMENSION		
APPROV	CHECK	DESIGN	DRAWN	THIRD ANGLE PROJECTION	SCALE	1 / 7	DATE 1998.11.26		
L.H.Y	M.B.U	C.J.H.		REF DWG NO.					
HYOSUNG CORPORATION				DWG NO.	S K E N 6 2 3 H50				