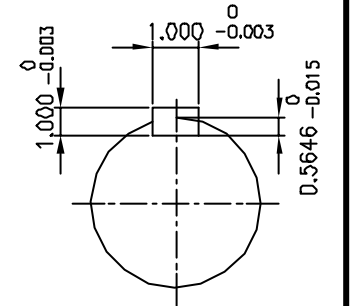
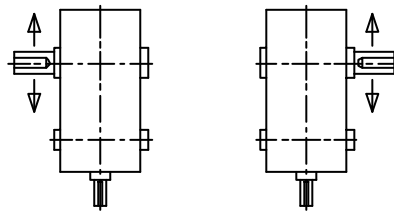


INPUT SHAFT



OUTPUT SHAFT



CL CR
SHAFT ARRANGEMENT & DIRECTION of ROTATION

REV	DESCRIPTION	APPR	CHCK	DRWN	DATE
△					
△					
△					
△					
△					

TYPE		DWG. NAME				
SKC22 (i=45~80)		DIMENSION				
APPROV	CHECK	DESIGN	DRAWN	THIRD ANGLE PROJECTION	SCALE	DATE
L.H.Y	M.B.U	C.J.H.		1	7	1998.11.26
REF DWG NO.			DWG NO.			
HYOSUNG CORPORATION			S K E N 6 2 4 H50			