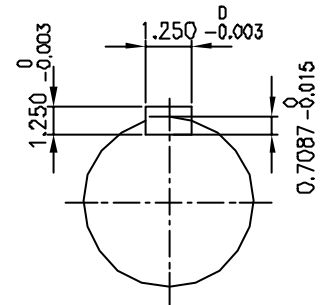
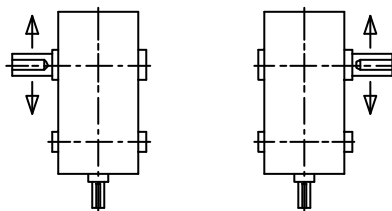


INPUT SHAFT



OUTPUT SHAFT



**SHAFT ARRANGEMENT &
DIRECTION of ROTATION**

REV	DESCRIPTION	APPR	CHCK	DRWN	DATE
△					
△					
△					
△					
△					

TYPE		DWG. NAME	
SKC26 (i = 45~ 80)		DIMENSION	
APPROV	CHECK	DESIGN	DRAWN
L.H.Y	M.B.U	C.J.H.	
THIRD ANGLE PROJECTION		SCALE	DATE
REF DWG NO.		1/B	1998.11.26
HYOSUNG CORPORATION		DWG NO.	S K E N 6 2 6 HSO