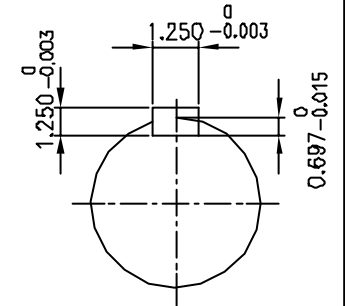
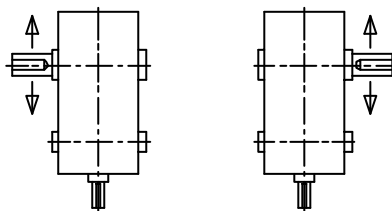


**INPUT SHAFT**



**OUTPUT SHAFT**



**SHAFT ARRANGEMENT &  
 DIRECTION of ROTATION**

REV	DESCRIPTION	APPR	CHCK	DRWN	DATE
△					
△					
△					
△					
△					

TYPE				DWG. NAME			
<b>SKC32</b> (i = 45 ~ 80)				<b>DIMENSION</b>			
APPROV	CHECK	DESIGN	DRAWN	THIRD ANGLE PROJECTION	SCALE	DATE	1998.11.26
L.H.Y	M.B.U	C.J.H.		REF DWG NO.	1/9		
HYOSUNG CORPORATION				DWG NO.	<b>S K E N 6 2 8</b> H S		