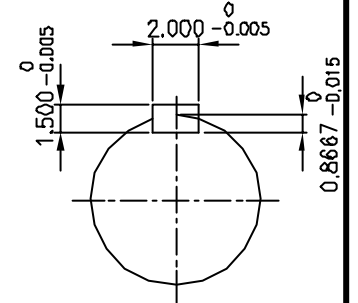
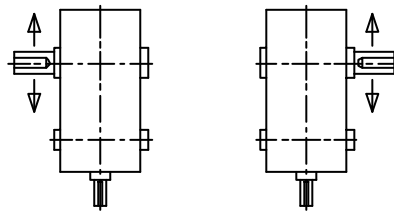


INPUT SHAFT



OUTPUT SHAFT



**SHAFT ARRANGEMENT &
 DIRECTION of ROTATION**

REV	DESCRIPTION	APPR	CHCK	DRWN	DATE
△					
△					
△					
△					
△					

TYPE SKC50 (i = 20 ~ 40)				DWG. NAME DIMENSION		
APPROV	CHECK	DESIGN	DRAWN	THIRD ANGLE PROJECTION	SCALE 1/15	DATE 1998.11.26
L.H.Y	M.B.U	K.S.C		REF DWG NO.		
HYOSUNG CORPORATION				DWG NO.	S K E N 6 3 3 H50	