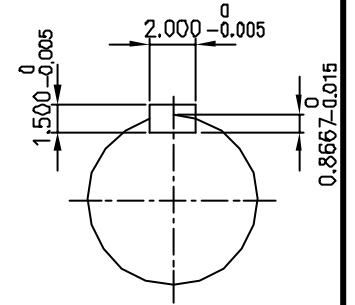
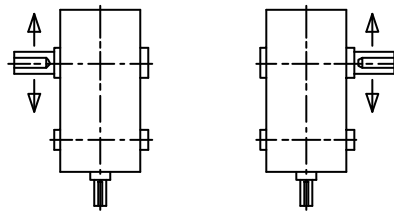


INPUT SHAFT



OUTPUT SHAFT



CL CR
SHAFT ARRANGEMENT &
DIRECTION of ROTATION

REV	DESCRIPTION	APPR	CHCK	DRWN	DATE
△					
△					
△					
△					
△					

TYPE		DWG. NAME	
SKC50 (i = 45~80)		DIMENSION	
APPROV	CHECK	DESIGN	DRAWN
L.H.Y	M.B.U	K.S.C	
THIRD ANGLE PROJECTION		SCALE	DATE
		1/15	1998.11.26
REF DWG NO.		DWG NO.	
		S K E N 6 3 4 H50	