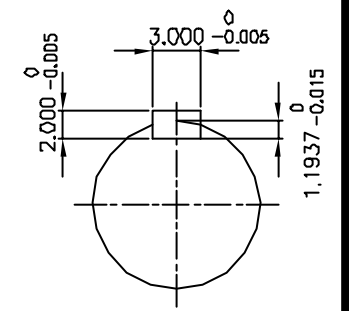
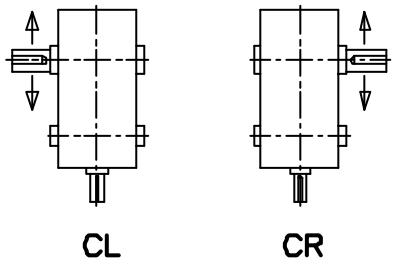


INPUT SHAFT



OUTPUT SHAFT



SHAFT ARRANGEMENT & DIRECTION of ROTATION

| REV | DESCRIPTION | APPR | CHCK | DRWN | DATE |
|-----|-------------|------|------|------|------|
| △ | | | | | |
| △ | | | | | |
| △ | | | | | |
| △ | | | | | |
| △ | | | | | |

| | | | | | | | |
|---------------------------------------|-------|--------|-------|-------------------------------|----------------------|------|-----------------|
| TYPE SKC71 (i = 20 ~ 40) | | | | DWG. NAME DIMENSION | | | |
| APPROV | CHECK | DESIGN | DRAWN | THIRD ANGLE PROJECTION | SCALE | 1/20 | DATE 1998.11.26 |
| L.H.Y | M.B.U | K.S.C | | REF DWG NO. | | | |
| HYOSUNG CORPORATION | | | | DWG NO. | S K E N 6 4 1 | | |