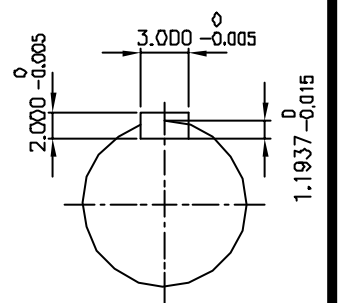
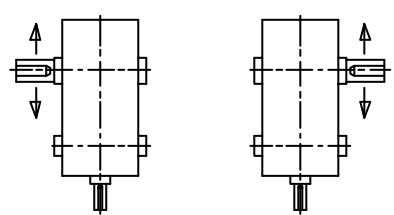


**INPUT SHAFT**



**OUTPUT SHAFT**



**CL CR**  
**SHAFT ARRANGEMENT & DIRECTION of ROTATION**

REV	DESCRIPTION	APPR	CHCK	DRWN	DATE
△					
△					
△					
△					
△					

TYPE				DWG. NAME			
<b>SKC71</b> (i = 45~ 80)				<b>DIMENSION</b>			
APPROV	CHECK	DESIGN	DRAWN	THIRD ANGLE PROJECTION	SCALE	1/20	DATE 1998.11.26
L.H.Y	M.B.U	K.S.C		REF DWG NO.			
HYOSUNG CORPORATION				DWG NO.	<b>S K E N 6 4 2 H 5 0</b>		