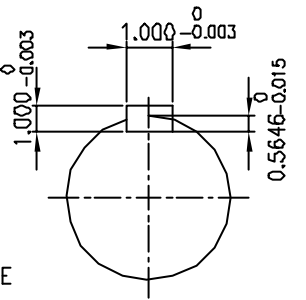
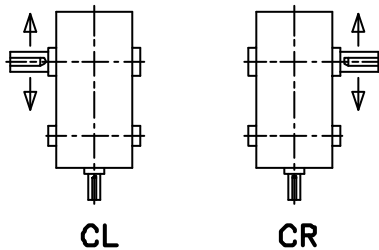


**INPUT SHAFT**



**OUTPUT SHAFT**



**SHAFT ARRANGEMENT & DIRECTION of ROTATION**

REV	DESCRIPTION	APPR	CHK	DRWN	DATE
△					
△					
△					
△					
△					

TYPE				DWG. NAME			
<b>SKD22</b> (i = 90 ~ 200)				<b>DIMENSION</b>			
APPROV	CHECK	DESIGN	DRAWN	THIRD ANGLE PROJECTION	SCALE	DATE	
L.H.Y	M.B.U	J.S.S		1	6	1998.11.26	
REF DWG NO.				DWG NO.			
HYOSUNG INDUSTRIES CO.,LTD.				<b>S K E N 6 4 3</b>			