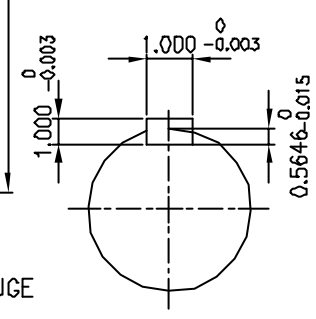
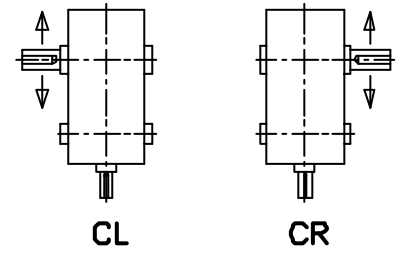


INPUT SHAFT



OUTPUT SHAFT



SHAFT ARRANGEMENT & DIRECTION of ROTATION

| REV | DESCRIPTION | APPR | CHK | DRWN | DATE |
|-----|-------------|------|-----|------|------|
| △ | | | | | |
| △ | | | | | |
| △ | | | | | |
| △ | | | | | |
| △ | | | | | |

| | | | | | | | |
|-----------------------------------|-------|--------|-------|------------------------|---------------------------|-------|-----------------|
| TYPE | | | | DWG. NAME | | | |
| SKD22 (i = 224 ~ 355) | | | | DIMENSION | | | |
| APPROV | CHECK | DESIGN | DRAWN | THIRD ANGLE PROJECTION | SCALE | 1 / 6 | DATE 1998.11.26 |
| L.H.Y | M.B.U | J.S.S | | REF DWG NO. | | | |
| HYOSUNG INDUSTRIES CO.,LTD. | | | | DWG NO. | S K E N 6 4 4 H 50 | | |