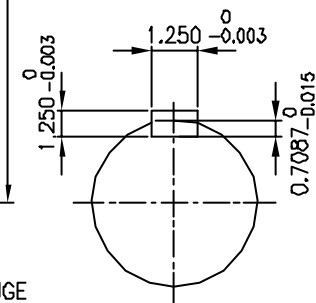
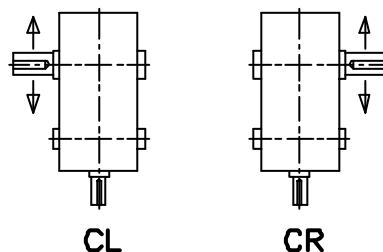


INPUT SHAFT



OUTPUT SHAFT



SHAFT ARRANGEMENT & DIRECTION of ROTATION

REV	DESCRIPTION	APPR	CHCK	DRWN	DATE
△					
△					
△					
△					
△					

TYPE				DWG. NAME			
SKD26 (i = 90~ 200)				DIMENSION			
APPROV	CHECK	DESIGN	DRAWN	THIRD ANGLE PROJECTION	SCALE	DATE	1998.11.26
H.Y	M.B.U	J.S.S		REF DWG NO.	1/7		
HYOSUNG INDUSTRIES CO.,LTD.				DWG NO.	S K E N 6 4 5 H 50		