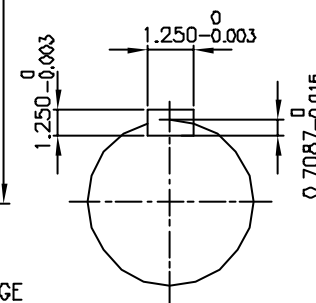
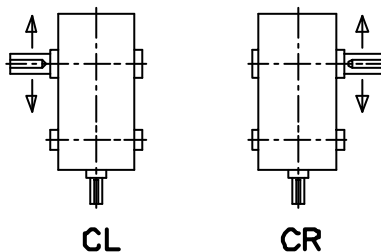


INPUT SHAFT



OUTPUT SHAFT



SHAFT ARRANGEMENT & DIRECTION of ROTATION

REV	DESCRIPTION	APPR	CHCK	DRWN	DATE
△					
△					
△					
△					
△					

TYPE SKD26 (i = 224~355)				DWG. NAME DIMENSION		
APPROV	CHECK	DESIGN	DRAWN	THIRD ANGLE PROJECTION	SCALE 1/7	DATE 1998.11.26
L.H.Y	M.B.U	J.S.S		REF DWG NO.		
HYOSUNG INDUSTRIES CO., LTD.				DWG NO.	S K E N 6 4 6 H 5 0	