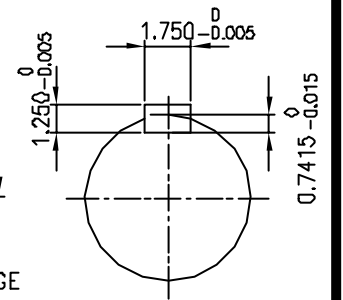
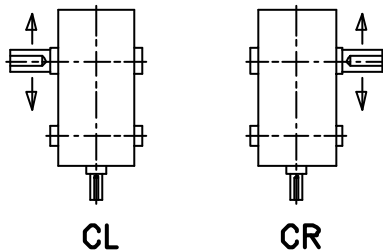


INPUT SHAFT



OUTPUT SHAFT



SHAFT ARRANGEMENT & DIRECTION of ROTATION

REV	DESCRIPTION	APPR	CHCK	DRWN	DATE
△					
△					
△					
△					
△					

TYPE				DWG. NAME	
SKD38 (i = 90~ 200)				DIMENSION	
APPROV	CHECK	DESIGN	DRAWN	THIRD ANGLE PROJECTION	SCALE 1/10
L.H.Y	M.B.U	J.S.S		DATE 1998.11.26	
REF DWG NO.				DWG NO.	
HYOSUNG INDUSTRIES CO.,LTD.				S K E N 6 4 9 H50	