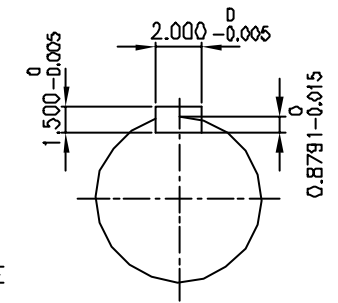
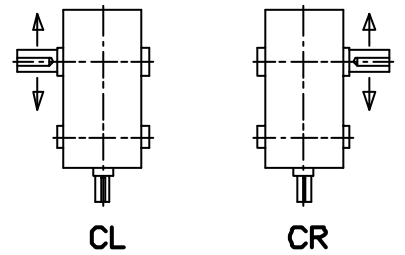


**INPUT SHAFT**



**OUTPUT SHAFT**



**SHAFT ARRANGEMENT & DIRECTION of ROTATION**

REV	DESCRIPTION	APPR	CHK	DRWN	DATE
△					
△					
△					
△					
△					

TYPE		<b>SKD45</b> (i = 9D~ 200)		DWG. NAME				<b>DIMENSION</b>	
APPROV	CHECK	DESIGN	DRAWN	THIRD ANGLE PROJECTION	SCALE	N	S	DATE 1998.11.26	
L.H.Y	M.B.U	J.S.S		REF DWG NO.					
HYOSUNG INDUSTRIES CO.,LTD.				DWG NO.	<b>SKEN651</b>				