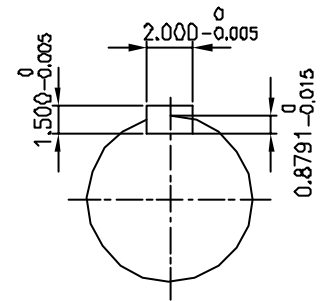
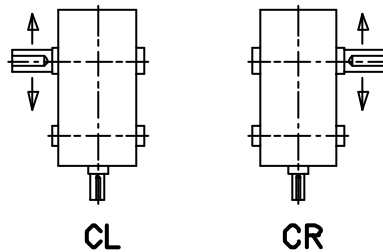


INPUT SHAFT



OUTPUT SHAFT



**SHAFT ARRANGEMENT &
DIRECTION of ROTATION**

REV	DESCRIPTION	APPR	CHK	DRWN	DATE
△					
△					
△					
△					
△					

TYPE		SKD45 (i = 224~ 355)		DWG. NAME				DIMENSION	
APPRDV	CHECK	DESIGN	DRAWN	THIRD ANGLE PROJECTION	SCALE	N	s	DATE 1998.11.26	
L.H.Y	M.B.U	J.S.S		REF DWG NO.					
HYOSUNG INDUSTRIES CO.,LTD.				DWG NO.	S K E N 6 5 2				