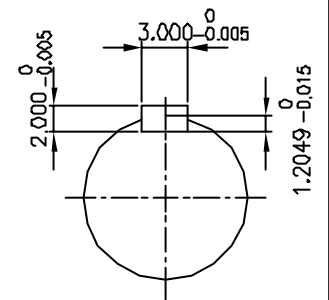
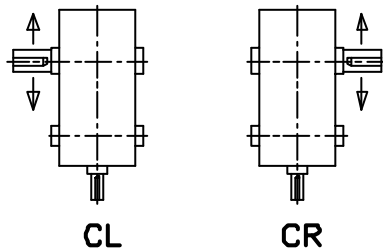


INPUT SHAFT



OUTPUT SHAFT



SHAFT ARRANGEMENT & DIRECTION of ROTATION

REV	DESCRIPTION	APPR	CHK	DRWN	DATE
△					
△					
△					
△					
△					

TYPE SKD71 ($i = 90 \sim 200$)				DWG. NAME DIMENSION		
APPROV	CHECK	DESIGN	DRAWN	THIRD ANGLE PROJECTION	SCALE 1/20	DATE 1998.11.26
L.H.Y	M.B.U	J.S.S		REF DWG NO.		
HYOSUNG INDUSTRIES CO.,LTD.				DWG NO.	S K E N 6 6 1	