

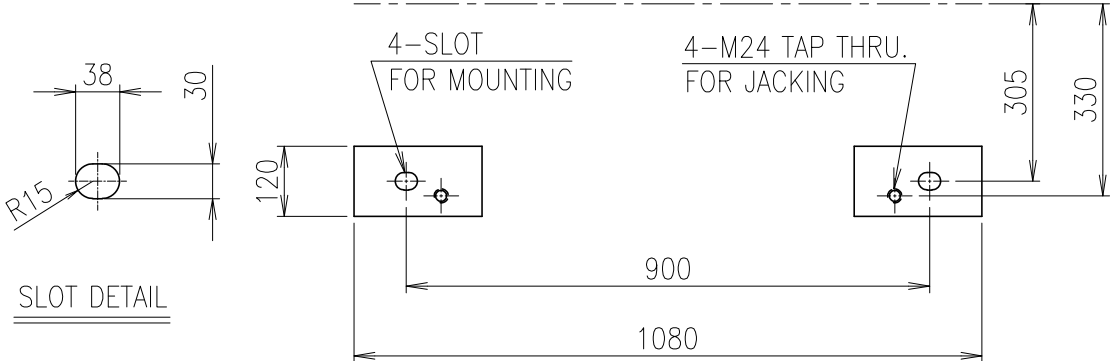
FOR REFERENCE

\*REF. TERMINAL BOX & COVER DRAWING

M30 TAP(DEEP 45)

AUX. TERMINAL BOX (when needed only)

\* DIMENSIONS COULD VARY UPON CUSTOMER'S REQUEST(OR DESIGN CONCEPT)  
 - DRIVE : DIRECT COUPLED  
 - NDE BEARING / DE BEARING : 6218 / 6220



DWG NAME		저압 유도전동기 외형도 OUTLINE DIMENSIONS			
DWG No.		ES1A117341		UNIT	mm
SCALE		1:13			
No.	DATE	DESCRIPTION of REVISION		DESIGNED	CHECKED
5	19.04.16	Bracket changed		2019.04.16	2019.04.17
		REVIEWED	APPROVED	DATE	2019-04-16
		HYOSUNG HEAVY INDUSTRIES		REVISION No.	05
		TYPE		FR.315F (LF), 4P	THIRD ANGLE PROJECTION
		REF. No.		-	

<NOTE>  
 1) TOLERANCE OF HOLES CONFORMS TO H14 OF ISO 2768.