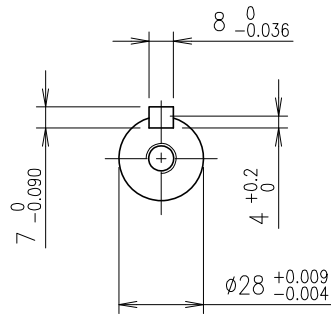
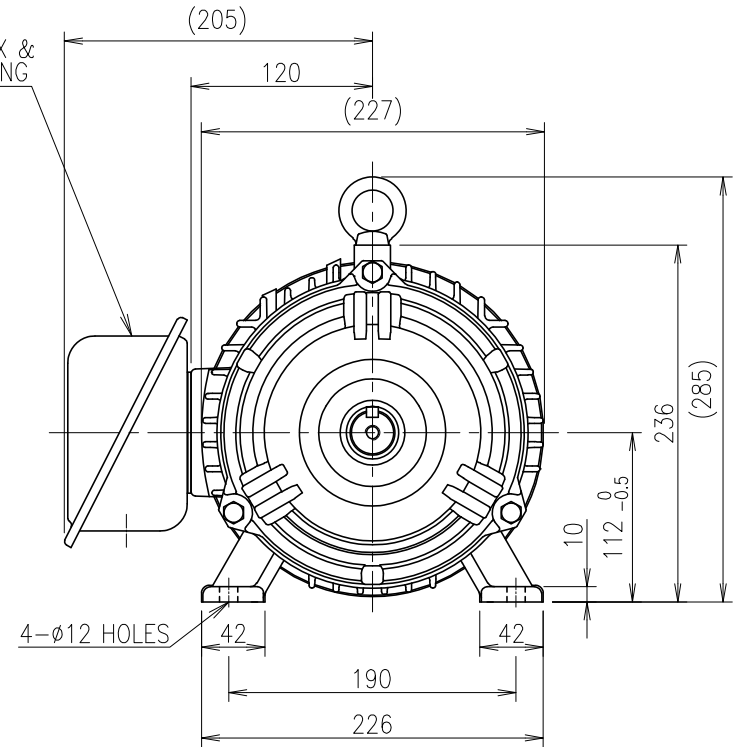


M10 TAP(DEEP 30)



*REF. TERMINAL BOX & COVER DRAWING



<NOTE>

- 1) TOLERANCE OF HOLES CONFORMS TO H14 OF ISO 2768.
- 2) DIMENSIONS AND SHAPE COULD VARY UPON DESIGN CONCEPT (EXCEPT FOR IEC STANDARD).

		DWG NAME				저압 유도전동기 외형도 OUTLINE DIMENSIONS	
		DWG No.				UNIT	mm
		DESIGNED				SCALE	1:5
No.	DATE	DESCRIPTION of REVISION				CHECKED	2018-10-30
A4(297x210mm)	FORM CE-14-0100-444 2013.11.20	HYOSUNG HEAVY INDUSTRIES				REVIEWED	2018.10.30
TYPE						APPROVED	2018.10.30
A.C MOTOR 112M		REF. No.				-	
						(C)	

이 도면상에 표시된 정보는 호성중공업(주)의 소유이며 당사의 사전 서면동의 없이 무단사용을 금합니다.