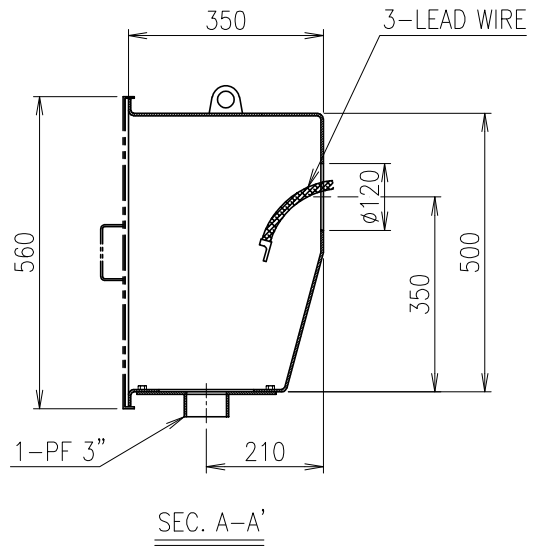
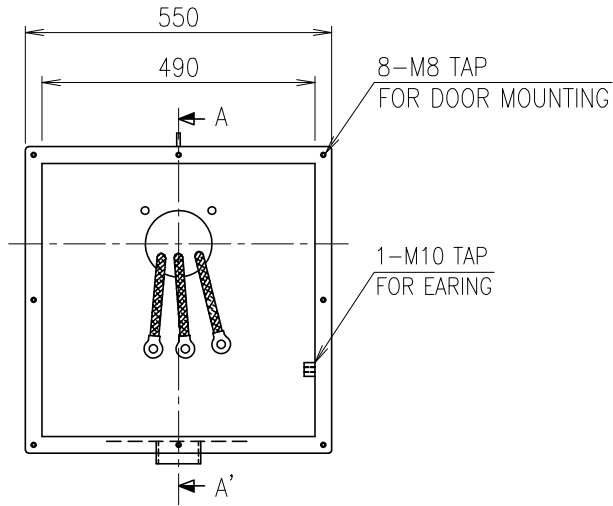
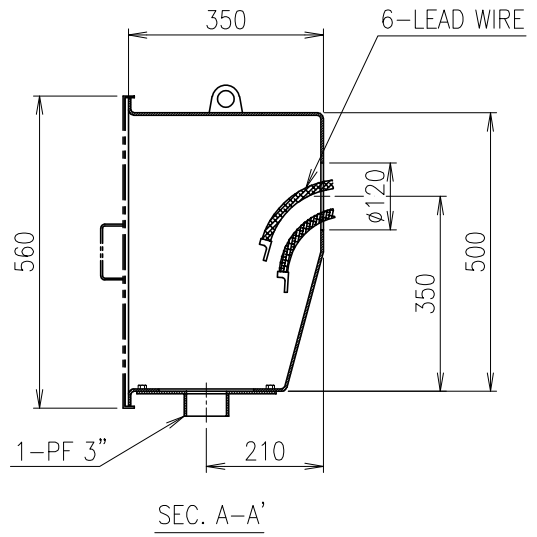
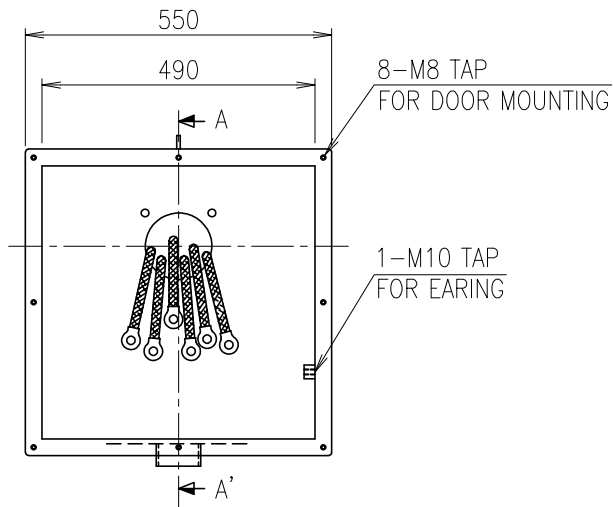


- STARTING METHOD : DIRECT ON LINE



- STARTING METHOD : Y-D



< NOTE >

- 1) ALL DIMENSIONS ARE APPROX.
- 2) TERMINAL BOX MAY BE COMPOSED OF STEEL PLATE.

DWG NAME **저압 유도전동기 단자박스외형도**
TERMINAL BOX DRAWING

DWG No. ES1B1100190		UNIT	mm
		SCALE	1:15
DESIGNED	CHECKED	REVIEWED	APPROVED
2022.05.10 SOON UEI LEE	2022.05.10 JUN HO CHA		2022.05.10 TAE HYUN KIM
DATE		2022-05-10	
REVISION No.		0.1	
THIRD ANGLE PROJECTION			

REF. No. - C

A4(210x297mm)
FORM
CE-14-0100-4A4
2013.11.20

HYOSUNG HEAVY INDUSTRIES

TYPE **A.C MOTOR 315~355**