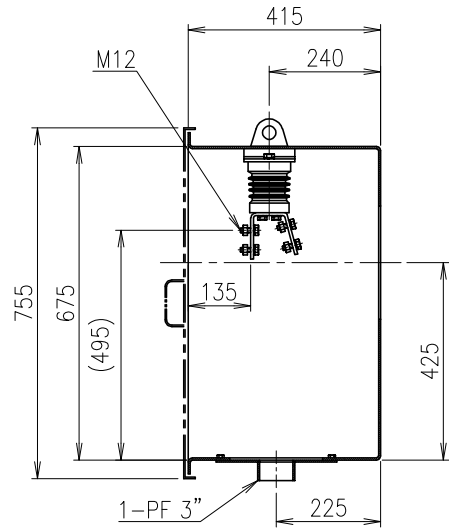
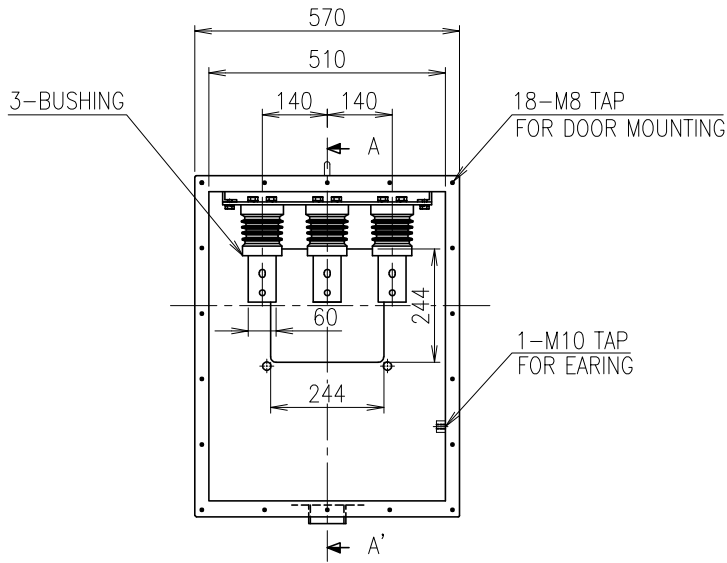
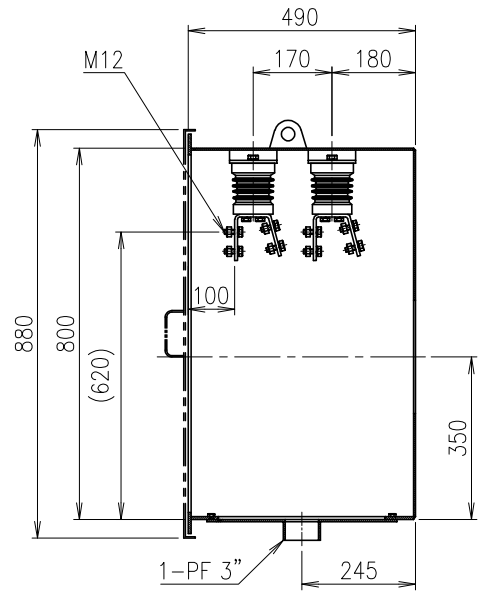
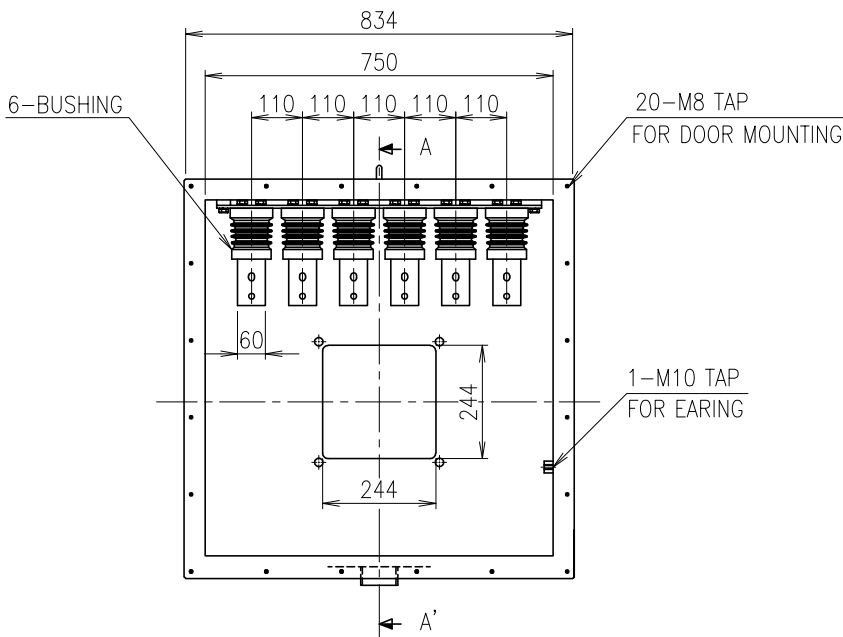


– STARTING METHOD : DIRECT ON LINE



SEC. A-A'

– STARTING METHOD : Y-D



SEC. A-A'

< NOTE >

- 1) ALL DIMENSIONS ARE APPROX.
- 2) TERMINAL BOX MAY BE COMPOSED OF STEEL PLATE.

DWG NAME **저압 유도전동기 단자박스외형도**
TERMINAL BOX DRAWING

DWG No. **ES1B1100191**

UNIT mm
SCALE 1:18

No.	DATE	DESCRIPTION of REVISION	DESIGNED	CHECKED	REVIEWED	APPROVED	DATE	2022-05-10
2022.05.10	2022.05.10		SOON UEI LEE	JUN HO CHA		2022.05.10 TAE HYUN KIM	REVISION No.	0.1
								THIRD ANGLE PROJECTION

REF. No.

—

Ⓒ