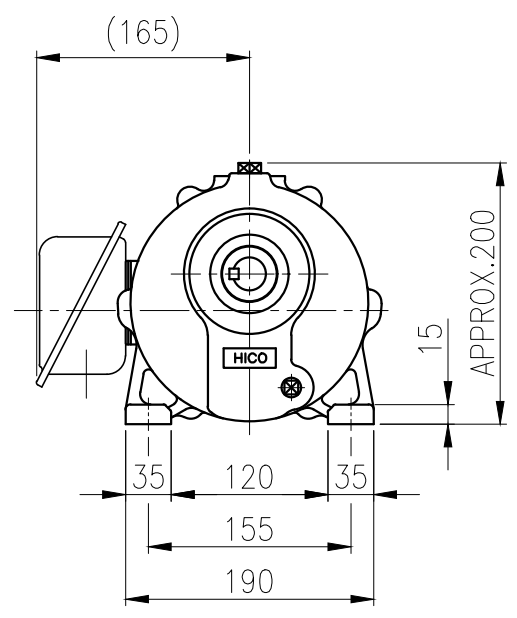
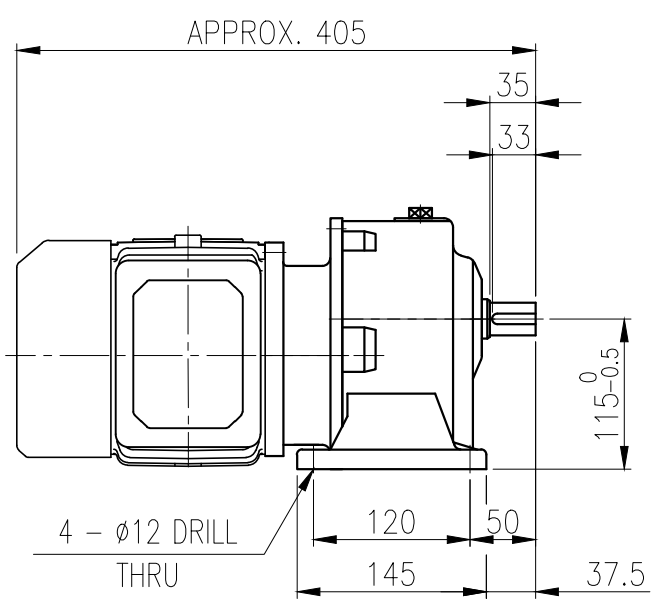


OUTPUT SHAFT
KEY 8 x 7 x 29



		BEARING			
OIL SEAL		INPUT SHAFT	#6203ZZ	#6205ZZ	
MOTOR SHAFT	D(M) 20x32x8	2ND PINION	#6302ZZ	#6303ZZ	GREASE : NLGI(EP)00
	D(M) 17x32x8	3RD PINION	-	-	ABOUT 0.25 kg
OUTPUT SHAFT	D(M) 30x42x8	OUTPUT SHAFT	#6306ZZ	#PM2015	WEIGHT 31 kg

		DWG NAME 외형도 OUTLINE DIMENSION					
		DWG No. EK2D007102H0001				UNIT	mm
						SCALE	1:1
No.	DATE	DESCRIPTION of REVISION				DESIGNED	2018-08-15
A4(210x297mm)	FORM CE-14-0100-444 2013.11.20					CHECKED	2018-10-01
TYPE RPH_80Fr(0.75kW)_5~30:1_N type						REVIEWED	2018.10.01
		DESIGNED	최성민	CHECKED	문병선	REVIEWED	박희성
				APPROVED	홍원철	DATE	2018-08-15
		REF. No. (EN241)				REVISION No.	01
						THIRD ANGLE PROJECTION	
						(A)	

The information written in this drawing is HYOSUNG HEAVY INDUSTRIES's property, and may not be disclosed and/or reproduced without the prior official permission of HYOSUNG HEAVY INDUSTRIES Corp.

이 도면상에 표시된 정보는 표상용이며 (주)의 소유이며 영사의 사전 서면동의 없이 무단사용을 금합니다.