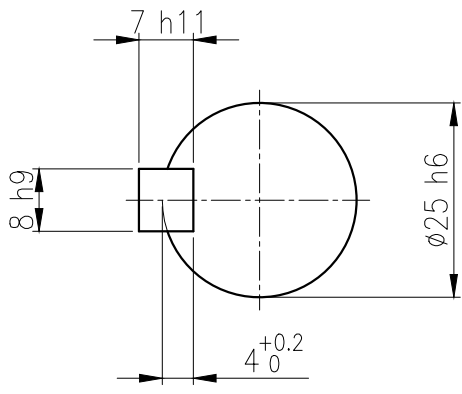
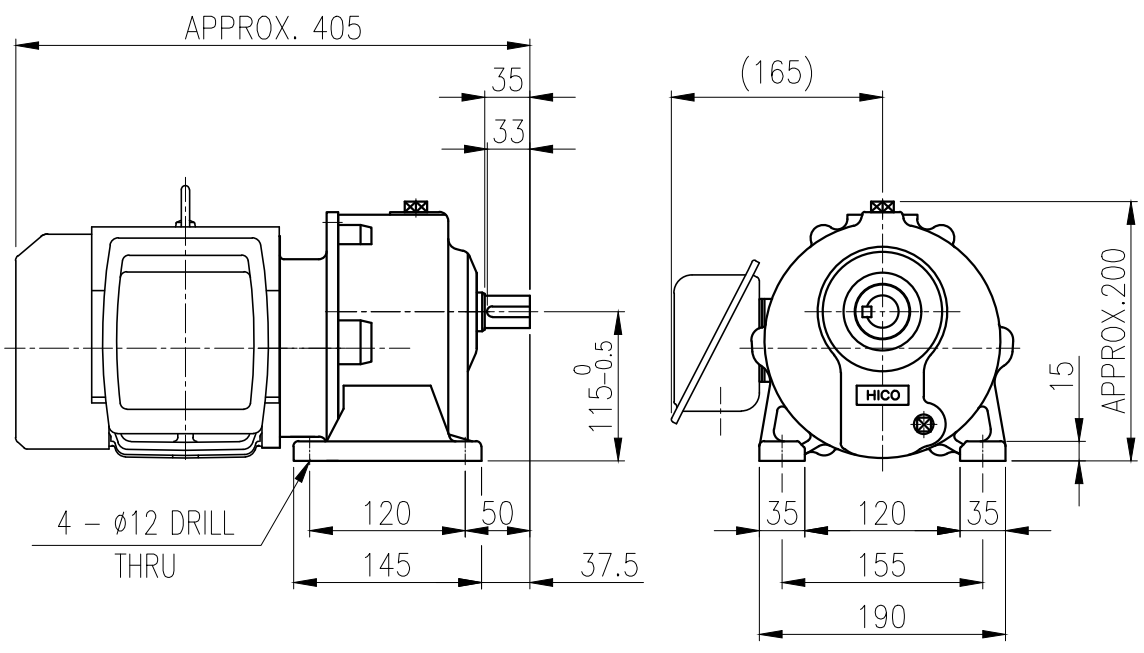


1	2	3	4	5				
No.	NAME	MATERIAL	DWG/MATL No.	CODE	Q'TY	SIZE	WEIGHT	REMARK
					0			



**OUTPUT SHAFT**  
KEY 8 x 7 x 29

			BEARING		
	OIL SEAL		INPUT SHAFT	#6203ZZ #6205ZZ	
MOTOR SHAFT	D(M) 20x32x8	2ND PINION	#6302ZZ	#6303ZZ	GREASE : NLGI(EP)00
	D(M) 17x32x8		3RD PINION	-	-
OUTPUT SHAFT	D(M) 30x42x8	OUTPUT SHAFT	#6306ZZ	#PM2015	WEIGHT 31 kg

		DWG NAME		외형도 OUTLINE DIMENSION			
		DWG No.		EK2DO07102W0001		UNIT	mm
						SCALE	1:1
No.	DATE	DESCRIPTION of REVISION		DESIGNED	CHECKED	REVIEWED	APPROVED
				2018.10.01	2018.10.01	2018.10.01	2018.10.01
				최성민	문병선	박희성	홍원철
						DATE	2018-08-15
						REVISION No.	01
						THIRD ANGLE PROJECTION	
				REF. No.	(EN241)		(A)

TYPE RPH\_80Fr(0.75kW)\_5~30:1\_N type

이 도면상에 표시된 정보는 호성중공업(주)의 소유이며 당사의 사전 서면동의 없이 무단사용을 금합니다.