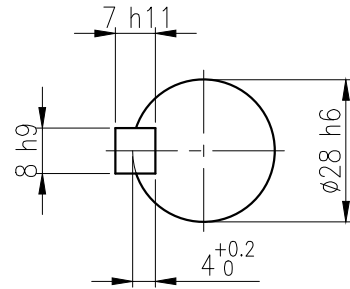
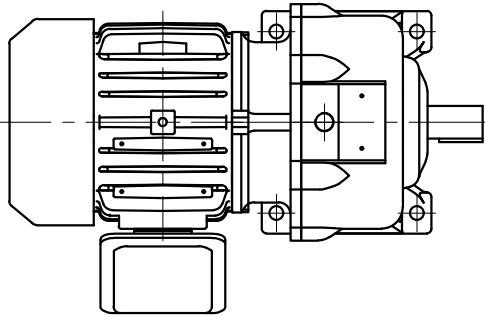
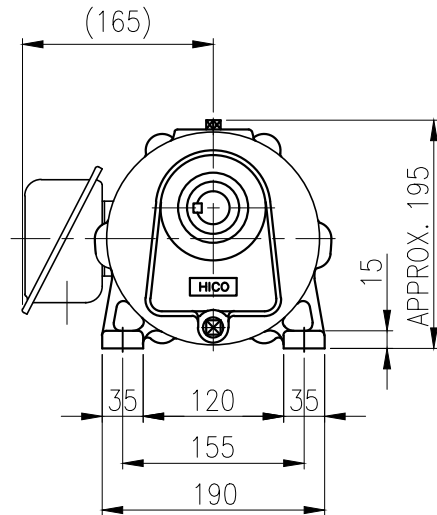
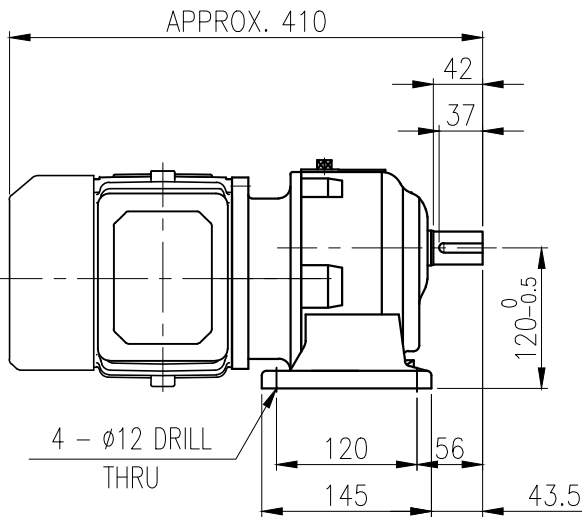


1	2	3	4	5				
No.	NAME	MATERIAL	DWG/MATL No.	CODE	Q'TY	SIZE	WEIGHT	REMARK
					0			



OUTPUT SHAFT

KEY 8 x 7 x 32



		BEARING			
		INPUT SHAFT	#6203ZZ	#6205ZZ	
OIL SEAL		2ND PINION	#6301ZZ	#6302ZZ	GREASE : NLGI(EP)00
MOTOR SHAFT	D(M) 18x30x8	3RD PINION	#6302ZZ	#6303ZZ	ABOUT 0.3 kg
OUTPUT SHAFT	D(M) 30x42x8	OUTPUT SHAFT	#6306ZZ	#PM2015	WEIGHT 35 kg

		DWG NAME 외형도 OUTLINE DIMENSION							
		DWG No. EK2DO07103H0001		UNIT	mm				
				SCALE	1:1				
No.	DATE	DESCRIPTION of REVISION		DESIGNED	CHECKED	REVIEWED	APPROVED	DATE	2018-08-15
A4(210x297mm)	FORM CE-14-0100-444 2013.11.20			2018.10.01	2018.10.01	2018.10.01	2018.10.01	REVISION No.	01
TYPE				RPH_80Fr(0.75kW)_40~60:1_N type		최성민	문병선	박희성	홍원철
		REF. No.	(EN242)			(A)			

이 도면상에 표시된 정보는 호성중공업(주)의 소유이며 당사의 사전 서면동의 없이 무단사용을 금합니다.