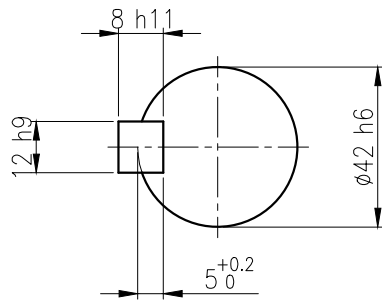
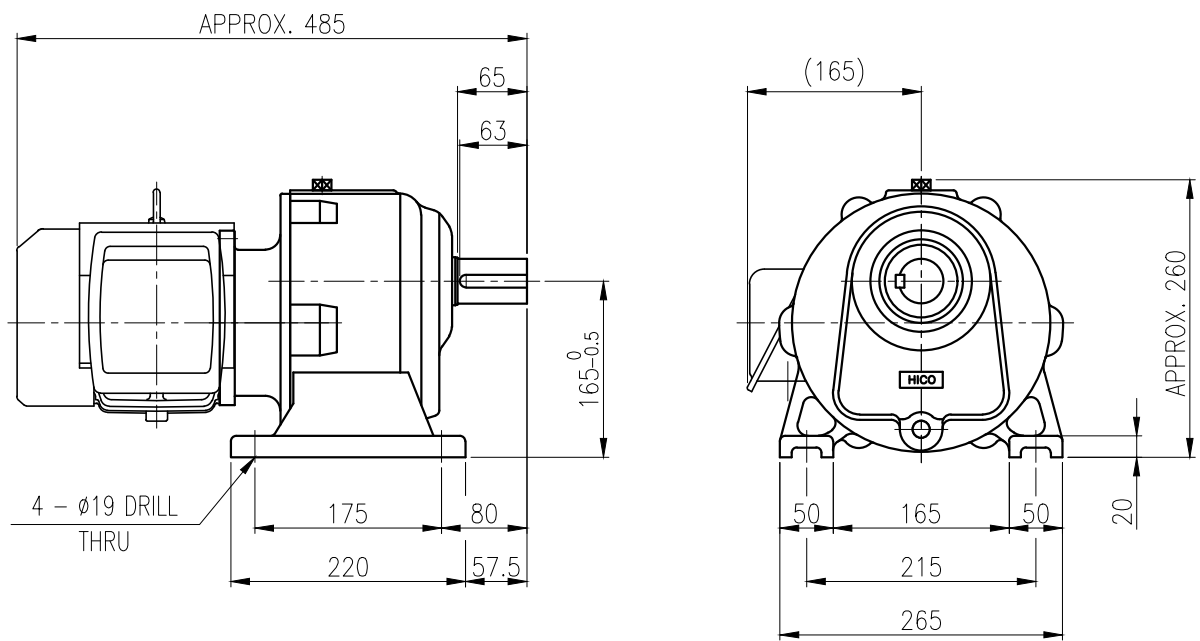


	1	2	3	4	5			
No.	NAME	MATERIAL	DWG/MATL No.	CODE	Q'TY	SIZE	WEIGHT	REMARK
					0			



OUTPUT SHAFT
KEY 12 x 8 x 57

			BEARING		
		INPUT SHAFT	#6203ZZ	#6205ZZ	
OIL SEAL		2ND PINION	#6302ZZ	#6303ZZ	GREASE : NLGI(EP)00
MOTOR SHAFT	D(M) 18x30x8	3RD PINION	#6303ZZ	#6305ZZ	ABOUT 0.8 kg
OUTPUT SHAFT	D(M) 45x68x12	OUTPUT SHAFT	#6309ZZ	#PM3020	WEIGHT 55 kg

		DWG NAME				외형도 OUTKUNE DIMENSION	
		DWG No. EK2DO07105W0001				UNIT	mm
						SCALE	1:1
No.	DATE	DESCRIPTION of REVISION		DESIGNED	CHECKED	REVIEWED	APPROVED
				2018.10.01	2018.10.01	2018.10.01	2018.10.01
				최성민	문병선	박희성	홍원철
				REVISION No.		01	
				THIRD ANGLE PROJECTION			
		TYPE		REF. No.		(EN273)	
		RPH_80Fr(0.75kW)_100~120:1_N type				A	

The information written in this drawing is HYOSUNG HEAVY INDUSTRIES's property, and may not be disclosed and/or reproduced without the prior official permission of HYOSUNG HEAVY INDUSTRIES Corp.

이 도면상에 표시된 정보는 호성중공업(주)의 소유이며 당사의 사전 서면동의 없이 무단사용을 금합니다.