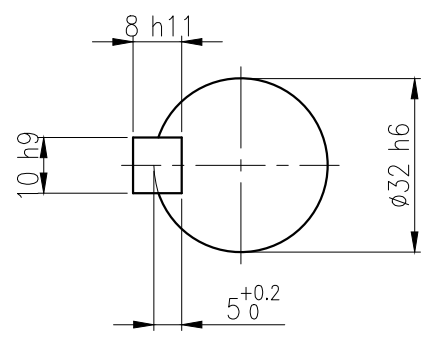
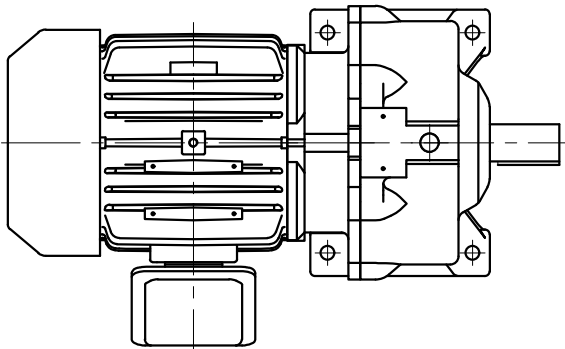
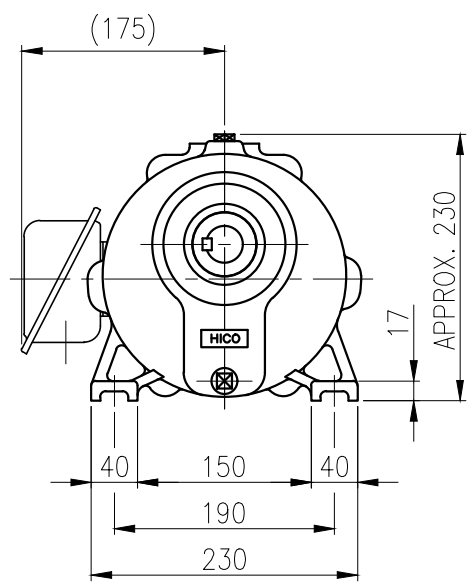
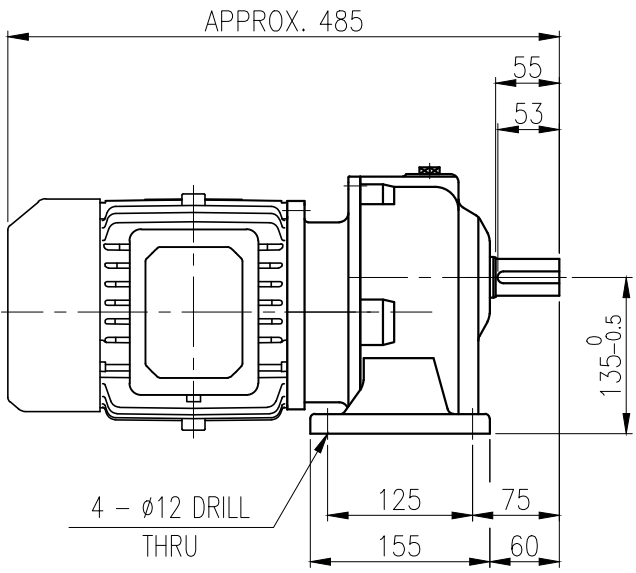


1	2	3	4	5				
No.	NAME	MATERIAL	DWG/MATL No.	CODE	Q'TY	SIZE	WEIGHT	REMARK
					0			



OUTPUT SHAFT
KEY 10 x 8 x 48



OIL SEAL		BEARING			
MOTOR SHAFT	D(M) 22x35x8	INPUT SHAFT	#6204ZZ	#6305ZZ	GREASE : NLGI(EP)00 ABOUT 0.3 kg WEIGHT 46 kg
	D(M) 18x35x8	2ND PINION	#6302ZZ	#6304ZZ	
		3RD PINION	-	-	
OUTPUT SHAFT	D(M) 35x55x11	OUTPUT SHAFT	#6307ZZ	#PM2025	

		DWG NAME 외형도 OUTLINE DIMENSION							
		DWG No. EK2DO07106H0001		UNIT mm					
				SCALE 1:1					
No.	DATE	DESCRIPTION of REVISION		DESIGNED	CHECKED	REVIEWED	APPROVED	DATE	2018-08-15
A4(210X297mm)	FORM CE-14-0100-444 2013.11.20			2018.10.01	2018.10.01	2018.10.01	2018.10.01	REVISION No.	01
TYPE RPH_90Fr(1.5kW)_5~30:1_N type				최성민	문병선	박희성	홍원철	THIRD ANGLE PROJECTION	
		REF. No.	(EN244)					(A)	

The information written in this drawing is HYOSUNG HEAVY INDUSTRIES's property, and may not be disclosed and/or reproduced without the prior official permission of HYOSUNG HEAVY INDUSTRIES Corp.

이 도면상에 표시된 정보는 호성중공업(주)의 소유이며 당사의 사전 서면동의 없이 무단사용을 금합니다.