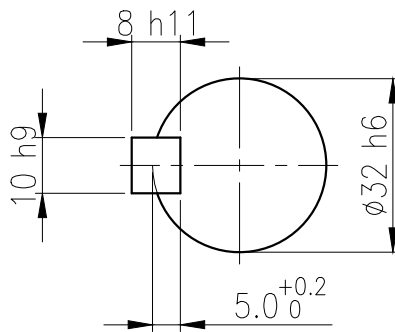
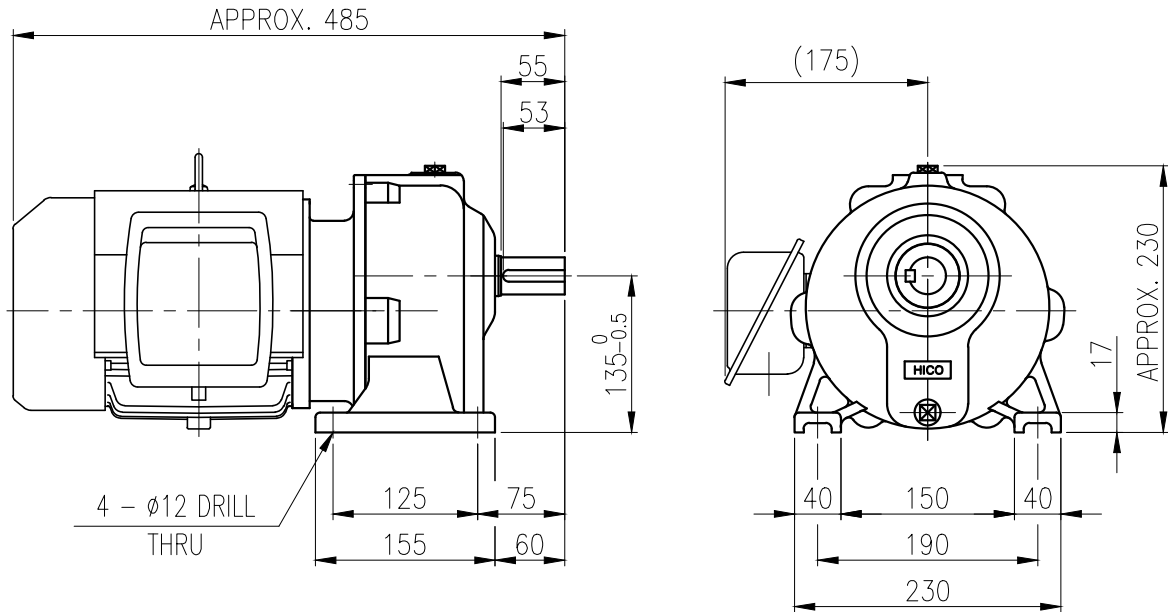


1	2	3	4	5
No.	NAME	MATERIAL	DWG/MATL No.	CODE
				Q'TY
				0
			SIZE	WEIGHT
				REMARK



**OUTPUT SHAFT**

KEY 10 x 8 x 48

OIL SEAL		BEARING			
MOTOR SHAFT	D(M) 22x35x8	INPUT SHAFT	#6204ZZ	#6305ZZ	GREASE : NLGI(EP)00
	D(M) 18x35x8	2ND PINION	#6302ZZ	#6303ZZ	
OUTPUT SHAFT	D(M) 35x55x11	3RD PINION	-	-	ABOUT 0.3kg
		OUTPUT SHAFT	#6307ZZ	#PM2025	WEIGHT 46kg

		외형도 OUTLINE DIMENSION			
		DWG NAME		UNIT	mm
		DWG No. <b>EK2DO07106W0001</b>		SCALE	1:1
No.	DATE	DESIGNED	CHECKED	REVIEWED	APPROVED
		2018.10.01	2018.10.01	2018.10.01	2018.10.01
DESCRIPTION of REVISION		최성민	문병선	박희성	홍원철
DATE		DATE		DATE	
2013.11.20		2018-08-15		2018-08-15	
REVISION No.		REVISION No.		REVISION No.	
01		01		01	
THIRD ANGLE PROJECTION		THIRD ANGLE PROJECTION		THIRD ANGLE PROJECTION	
TYPE		REF. No.		REF. No.	
RPH_90Fr(1.5kW)_5~30:1_N type		(EN244)		(EN244)	
A4(210X297mm)		FORM		FORM	
CE-14-0100-444		2013.11.20		2013.11.20	
HYOSUNG HEAVY INDUSTRIES		HYOSUNG HEAVY INDUSTRIES		HYOSUNG HEAVY INDUSTRIES	
A		A		A	

이 도면상에 표시된 정보는 호성중공업(주)의 소유이며 당사의 사전 서면동의 없이 무단사용을 금합니다.