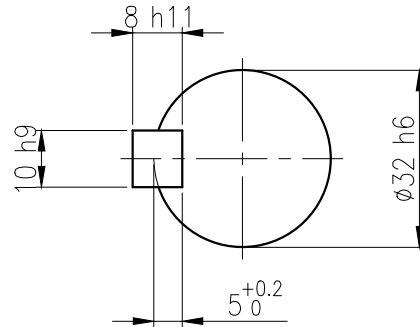
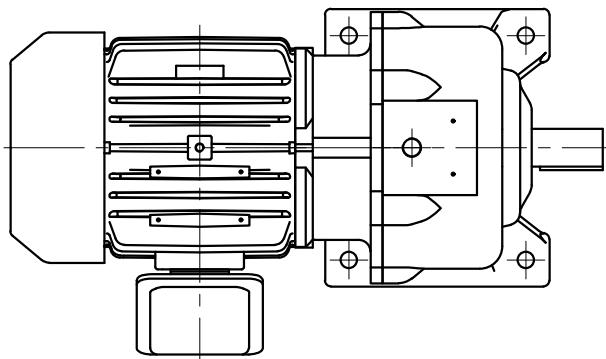
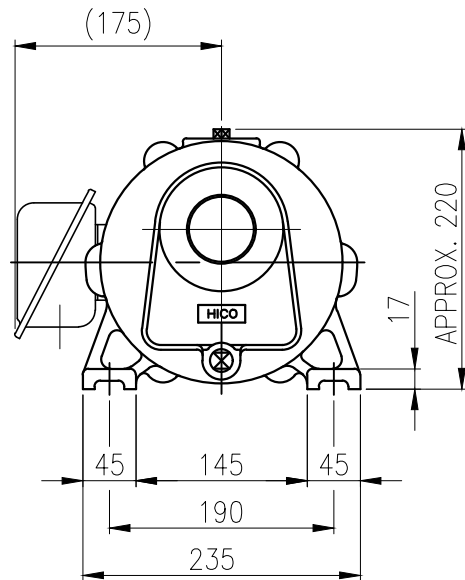
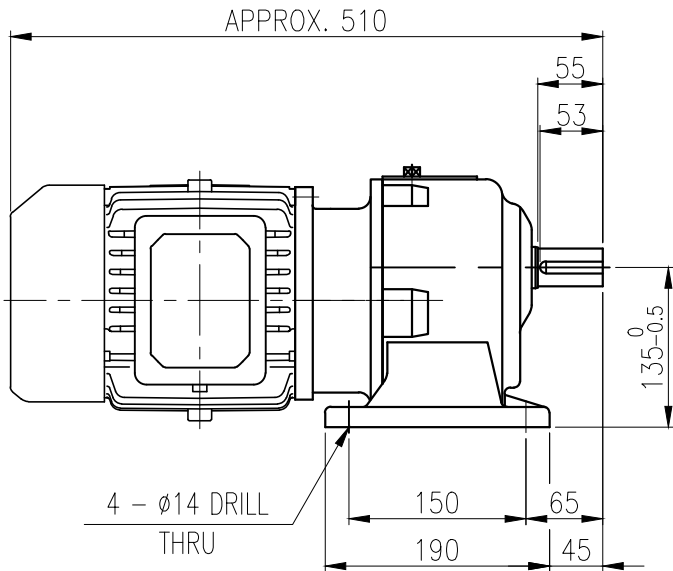


1	2	3	4	5				
No.	NAME	MATERIAL	DWG/MATL No.	CODE	Q'TY	SIZE	WEIGHT	REMARK
					0			



OUTPUT SHAFT

KEY 10 x 8 x 48



		BEARING			
OIL SEAL		INPUT SHAFT	#6204ZZ	#6305ZZ	
		2ND PINION	#6301ZZ	#6302ZZ	GREASE : NLGI(EP)00
MOTOR SHAFT	D(M) 18x35x8	3RD PINION	#6303ZZ	#6304ZZ	ABOUT 0.5 kg
OUTPUT SHAFT	D(M) 35x55x11	OUTPUT SHAFT	#6307ZZ	#PM2025	WEIGHT 51 kg

		외형도 OUTLINE DIMENSION			
		DWG No. EK2DO07107H0001		UNIT	mm
				SCALE	1:1
No.	DATE	DESCRIPTION of REVISION			
DESIGNED	CHECKED	REVIEWED	APPROVED	DATE	2018-08-15
2018.10.01	2018.10.01	2018.10.01	2018.10.01	REVISION No.	01
최성민	문병선	박희성	홍원철	THIRD ANGLE PROJECTION	
A4(210X297mm) FORM CE-14-0100-444 2013.11.20		HYOSUNG HEAVY INDUSTRIES		REF. No.	(EN245)
TYPE		RPH_90Fr(1.5kW)_40~60:1_N type		(A)	

이 도면상에 표시된 정보는 호성중공업(주)의 소유이며 당사의 사전 서면동의 없이 무단사용을 금합니다.