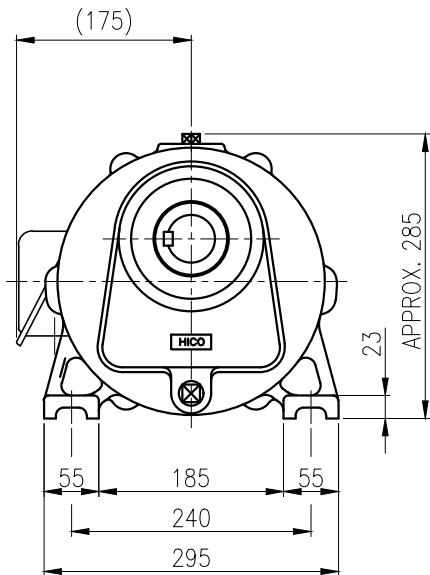
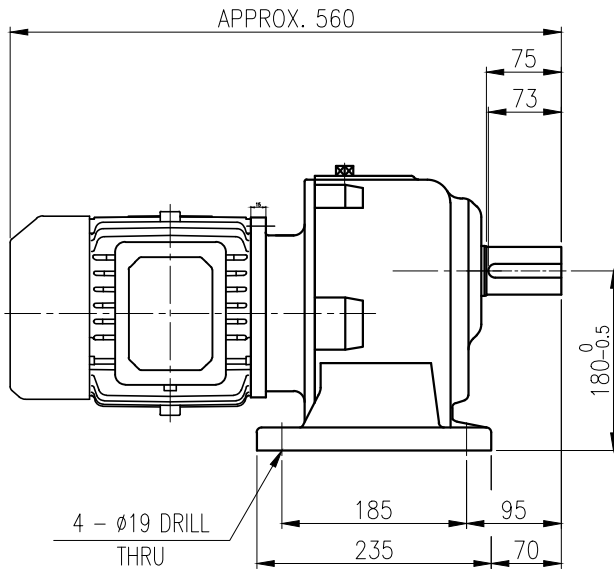


OUTPUT SHAFT

KEY 14 x 9 x 66



		BEARING			
		INPUT SHAFT	#6204ZZ	#6305ZZ	
OIL SEAL		2ND PINION	#6302ZZ	#6304ZZ	GREASE : NLGI(EP)00
MOTOR SHAFT	D(M) 22x35x8	3RD PINION	#6305ZZ	#6305ZZ	ABOUT 1.2 kg
OUTPUT SHAFT	D(M) 50x72x12	OUTPUT SHAFT	#6310ZZ	#PM4020	WEIGHT 74 kg

		DWG NAME 외형도 OUTLINE DIMENSION					
		DWG No. EK2D007109H0001				UNIT	mm
						SCALE	1:1
No.	DATE	DESCRIPTION of REVISION				DESIGNED	2018-08-15
						CHECKED	
						REVIEWED	
						APPROVED	
A4(210x297mm)						DATE	2018-08-15
FORM CE-14-0100-444 2013.11.20						DESIGNED	2018.10.01
TYPE RPH_90Fr(1.5kW)_100~120:1_N type		CHECKED	2018.10.01	문병선	THIRD ANGLE PROJECTION		
		REVIEWED	2018.10.01	박희성	REF. No.		(EN274)
		APPROVED	2018.10.01	홍원철			(A)