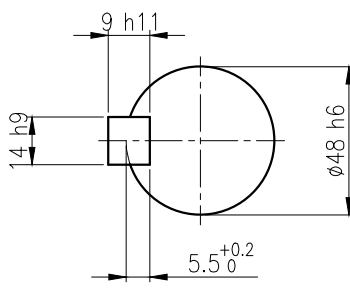
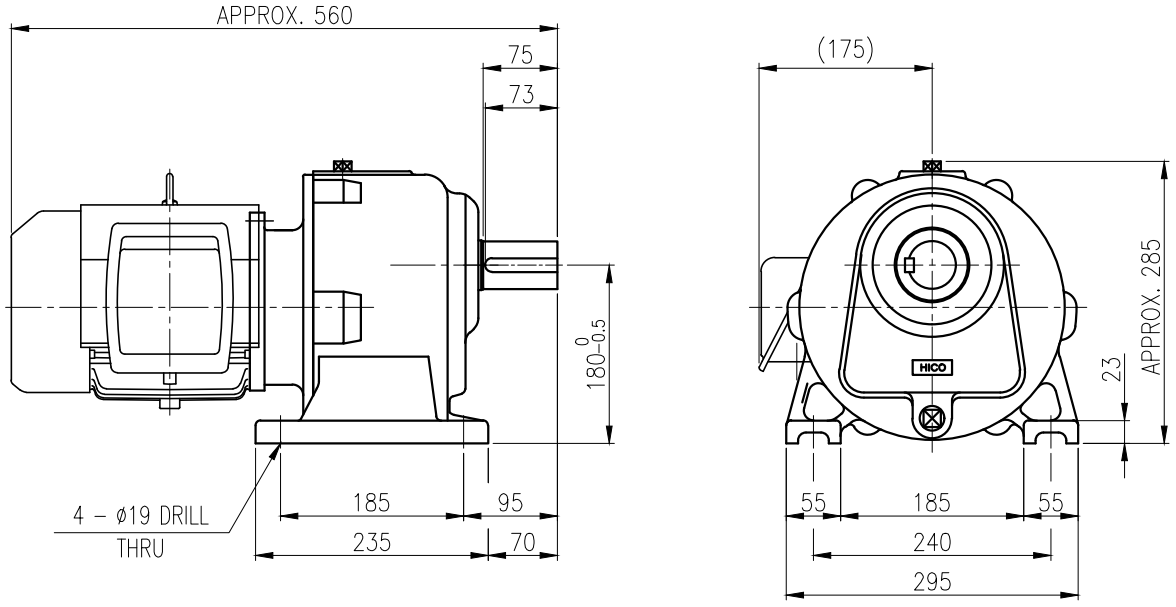


1	2	3	4	5				
No.	NAME	MATERIAL	DWG/MATL No.	CODE	Q'TY	SIZE	WEIGHT	REMARK
					0			



OUTPUT SHAFT
KEY 14 x 9 x 66

		BEARING			
OIL SEAL		INPUT SHAFT	#6204ZZ #6305ZZ		
MOTOR SHAFT D(M) 22x35x8		2ND PINION	#6302ZZ #6304ZZ	GREASE : NLGI(EP)00	
OUTPUT SHAFT D(M) 50x72x12		3RD PINION	#6305ZZ #6305ZZ	ABOUT	1.2 kg
		OUTPUT SHAFT	#6310ZZ #PM4020	WEIGHT	74 kg

		외형도 OUTLINE DIMENSION				
		DWG No. EK2DO07109H0001		UNIT	mm	
				SCALE	1:1	
No.	DATE	DESIGNED	CHECKED	REVIEWED	APPROVED	
		2018.10.01	2018.10.01	2018.10.01	2018.10.01	
DESCRIPTION of REVISION		최성민	문병선	박희성	홍원철	
DATE		2018-08-15		REVISION No.	01	
DATE		2018-08-15		THIRD ANGLE PROJECTION		
TYPE		RPH_90Fr(1.5kW)_100~120:1_N type			REF. No.	(EN274)
FORM		A4(210X297mm)				
CE-14-0100-444						
2013.11.20						
HYOSUNG HEAVY INDUSTRIES						

이 도면상에 표시된 정보는 호성중공업(주)의 소유이며 당사의 사전 서면동의 없이 무단사용을 금합니다.