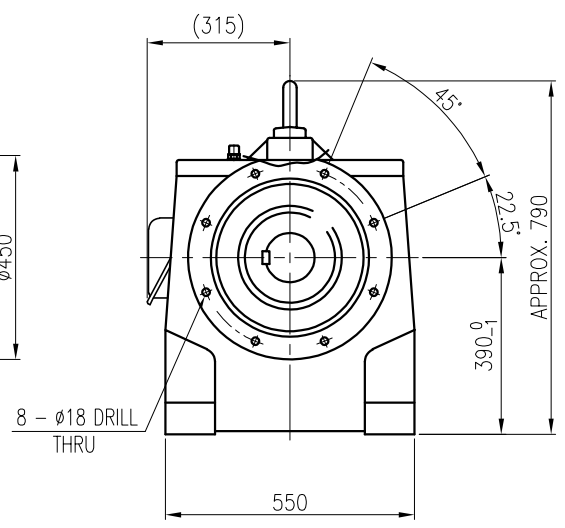
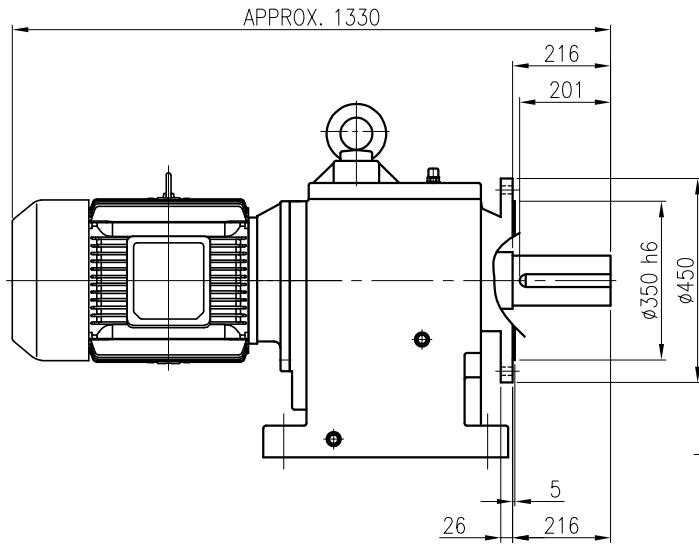


OUTPUT SHAFT
(28 x 16 x 187)



		BEARING				
		INPUT SHAFT	6310ZZ	6312ZZ		
OIL SEAL		2ND PINION	6310	NJ310E	OIL : ISO VG 220	
MOTOR SHAFT	D(M) 60 x 82 x 12	3RD PINION	NJ312E	NJ312E	ABOUT 55 l	
OUTPUT SHAFT	D(M) 125 x 200 x 14	OUTPUT SHAFT	22216	22222	WEIGHT 767 kg	

		외형도 OUTLINE DIMENSION					
		DWG NAME				UNIT	mm
		DWG No. EK2D007282H0001				SCALE	1:1
No.	DATE	DESCRIPTION of REVISION				DESIGNED	2018-08-15
A4(210x297mm)	FORM CE-14-0100-444 2013.11.20					2018.10.01	2018-08-15
TYPE		HFM39_180L(30kW)_40~50:1_Ntype				2018.10.01	REVISION No. 01
		REF. No.				(GKDS477G04)	
						THIRD ANGLE PROJECTION	
						A	

이 도면상에 표시된 정보는 표상정보(수)의 소유이며 당사의 사전 서면동의 없이 무단사용을 금합니다.