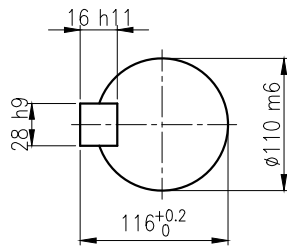
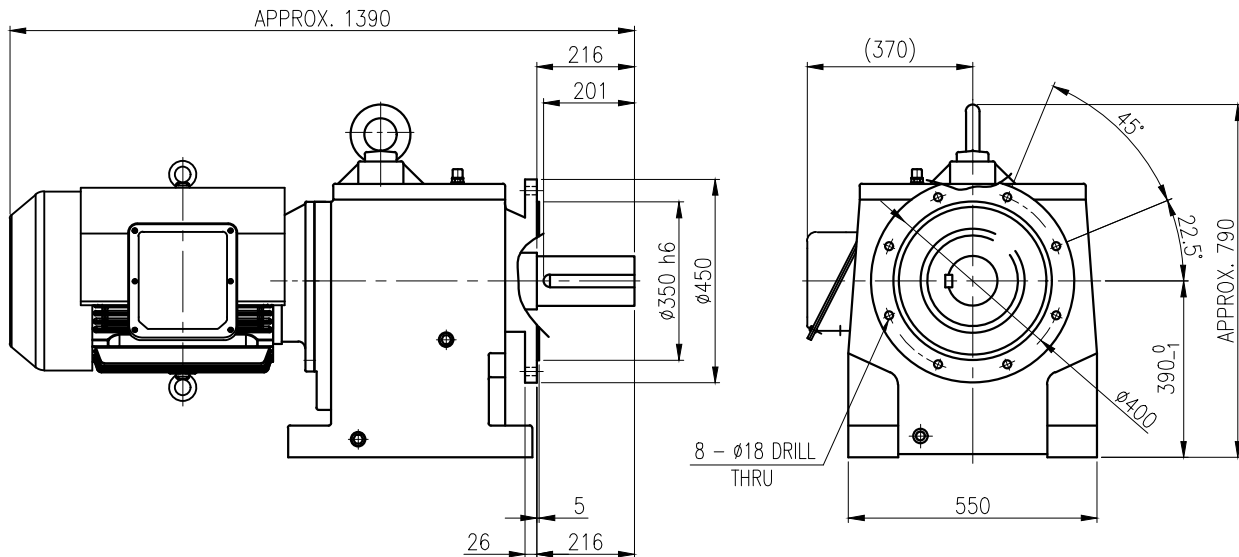


No.	NAME	MATERIAL	DWG/MATL No.	CODE	Q'TY	SIZE	WEIGHT	REMARK
					0			



OUTPUT SHAFT
(28 x 16 x 187)

		BEARING					
		INPUT SHAFT	6312ZC3	6313ZC3			
OIL SEAL		2ND PINION	6310	NJ310E	OIL : ISO VG 220		
MOTOR SHAFT	D(M) 65 x 90 x 13	3RD PINION	NJ312E	NJ312E	ABOUT	55 l	
OUTPUT SHAFT	D(M) 125 x 200 x 14	OUTPUT SHAFT	22216	22222	WEIGHT	835 kg	

		DWG NAME		외형도 OUTLINE DIMENSION					
		DWG No. EK2DO07283W0001		UNIT	mm				
				SCALE	1:1				
No.	DATE	DESCRIPTION of REVISION		DESIGNED	CHECKED	REVIEWED	APPROVED	DATE	2018-08-15
A4(210x297mm)	FORM CE-14-0100-4A4 2013.11.20			2018.10.01 최성민	2018.10.01 문병선	2018.10.01 박희성	2018.10.01 홍원철	REVISION No.	01
TYPE				HFM39_200L(37kW)_30~40:1_Ntype		THIRD ANGLE PROJECTION			
		REF. No.	(GKDS477G05)				A		

이 도면에 표시된 정보는 호성중공업(주)의 소유이며 당사의 사전 서면동의 없이 무단사용을 금합니다.