



HYOSUNG CORPORATION

DWG. NO.

1DE 10301H05

REF. DWG. NO.

y. j. fong

K. Y. Lee

APPR. OVED

CHECK

DESIGN

DRAWN

THIRD ANGLE PROJECTION

SCALE

N / S

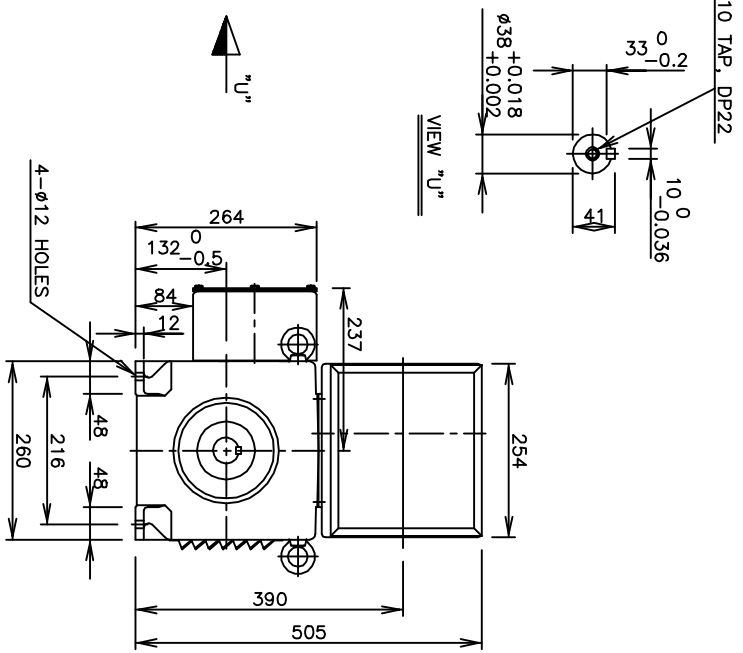
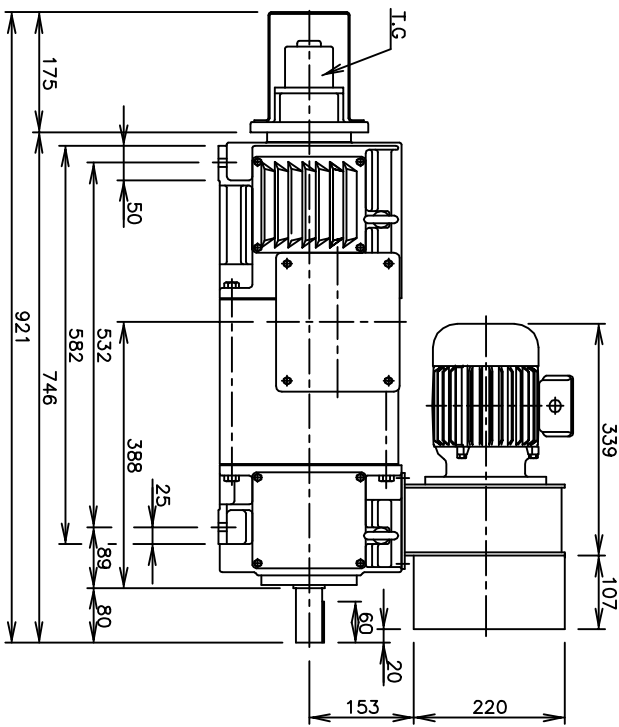
DATE 97.08.07

TYPE

D.C MOTOR
LAP 132-4L

DWG. NAME

OUTLINE DIMENSION



1 2 3 4 5 A B C D E

1 2 3 4 5 A B C D E