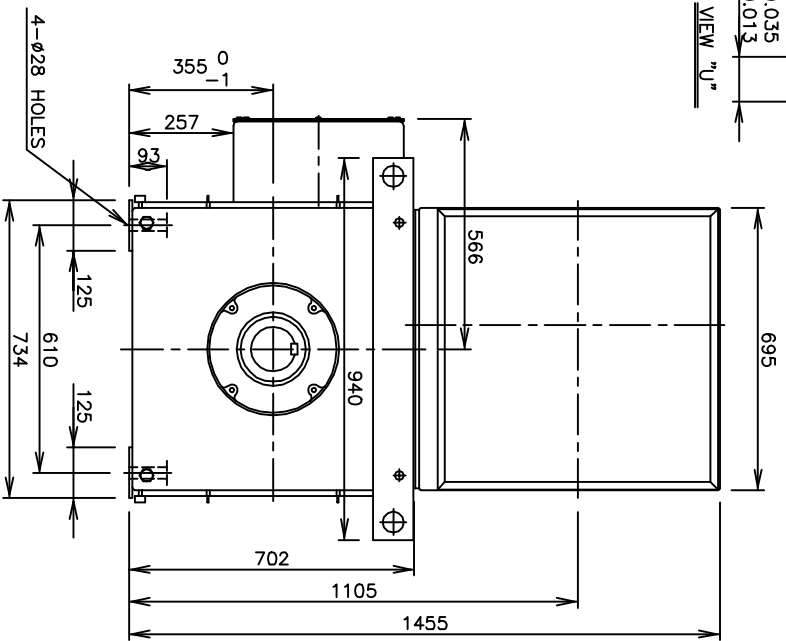
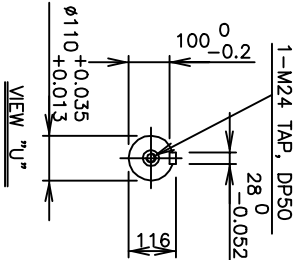
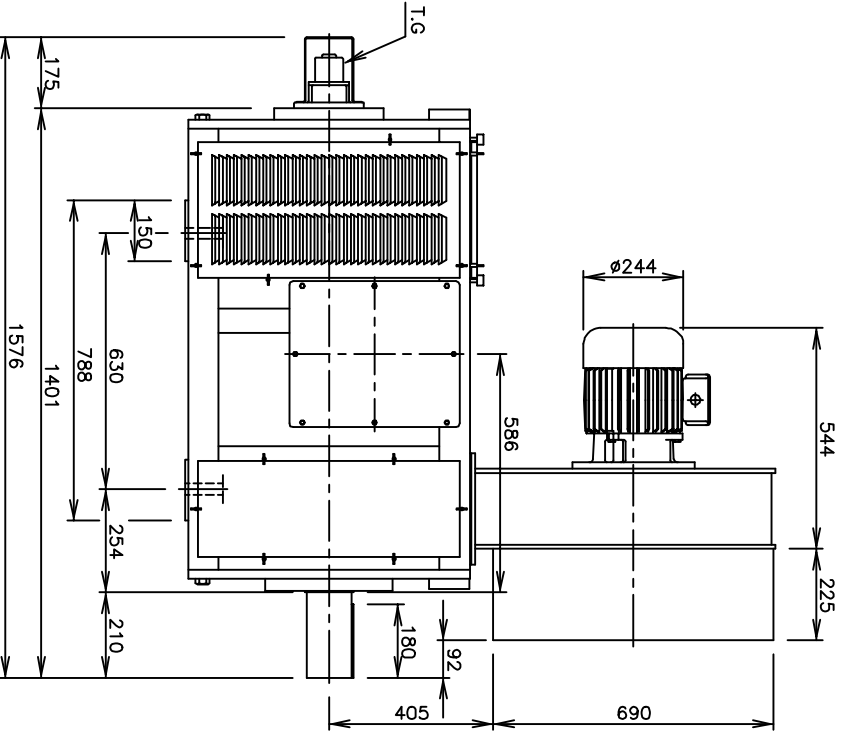


TYPE		D.C MOTOR			LAB 355LA		
APPR	CHECK	DESIGN	DRAWN	DWG.NAME			
OVED				OUTLINE DIMENSION			
REF. DWG. NO.		REF. DWG. NO.		THIRD ANGLE PROJECTION		SCALE	
K. J. Lee		y. j. Chang		N / S		DATE:00.08.23	
DWG. NO.		DWG. NO.					
1 D E 1 0 3 2 6 H 0 1		1 D E 1 0 3 2 6 H 0 1					



Grid coordinates: 1-5 (vertical), A-E (horizontal)