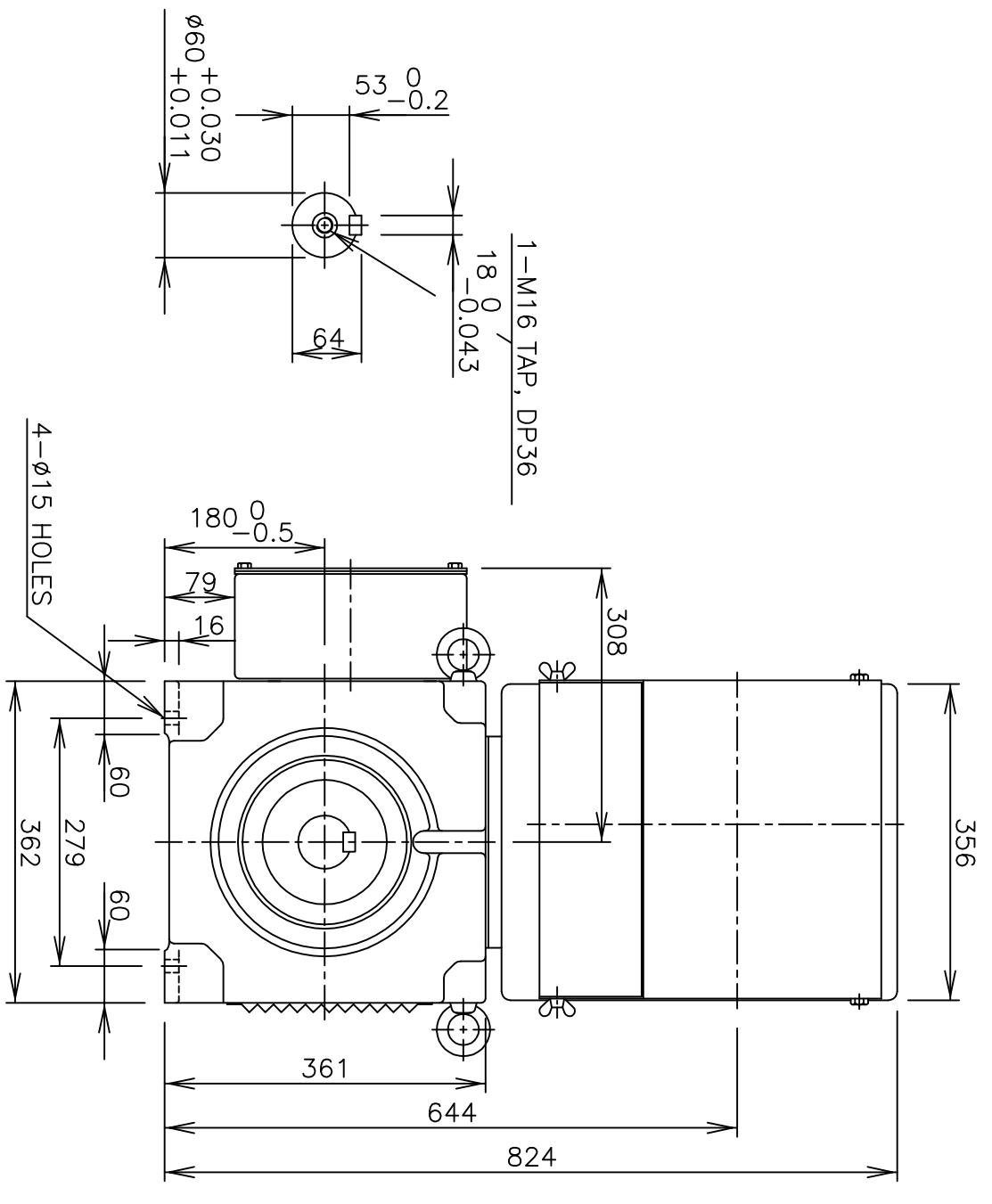
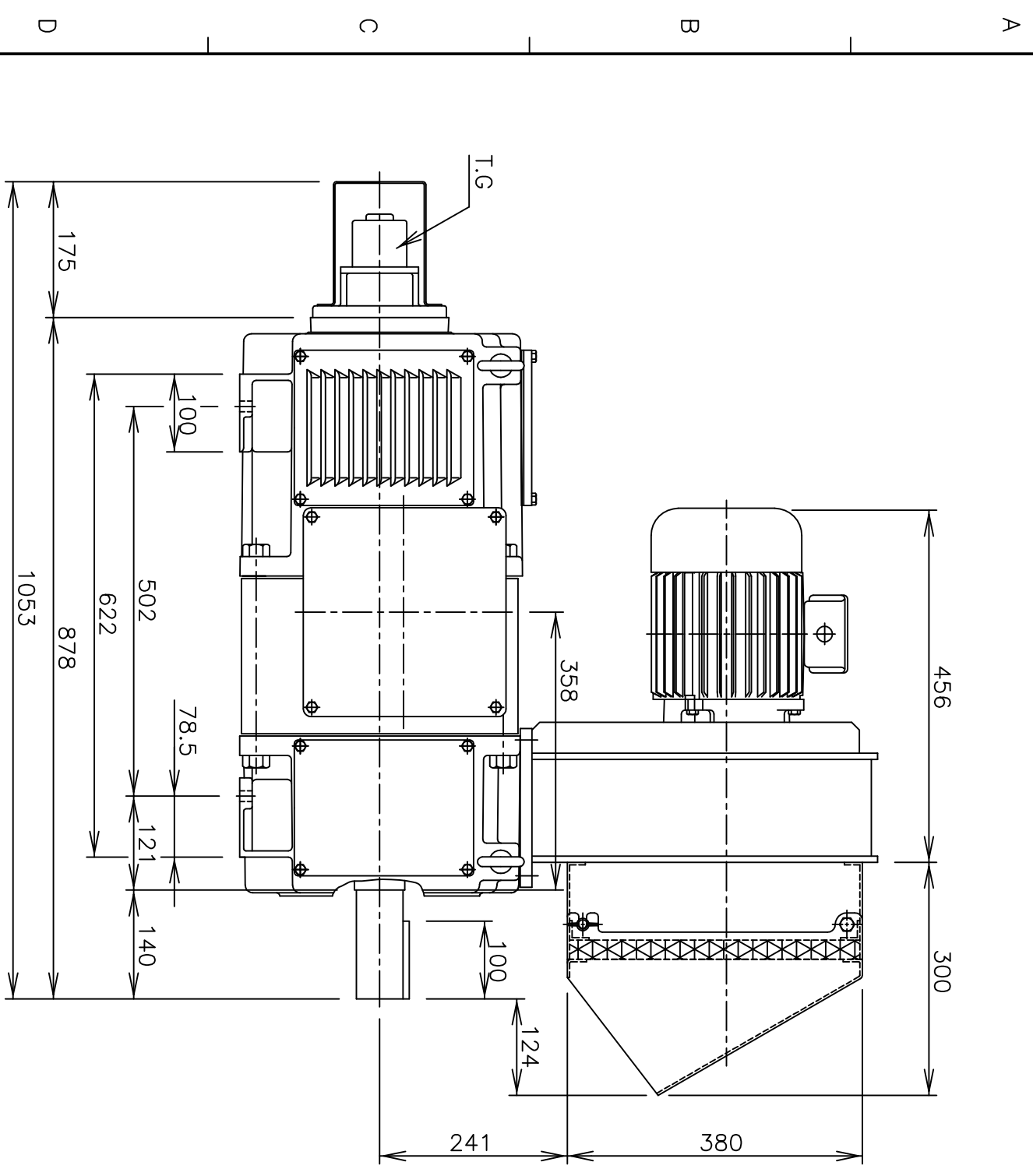


10H52801KWD  
 DWG. NO. DDMK10825H01

IT. NO.	NAME	MATERIAL	DWG. NO. MATERIAL COOD	Q'TY	SIZE	REMARKS
01						
02						
03						



TYPE  
 DC MOTOR  
 LAR180LB

DWG. NAME  
 OUTLINE DIMENSIONS

REVISION		DRAWN				DESIGN				CHECKED				REVIEWED				APPROVED			
이 도면에 표시된 정보는 (주)호성외국산의 소유이며 당사의 사전 사후동의 없이 무단사용을 금합니다. The information written in this drawing is HYOSUNG's property and may not be disclosed and/or reproduced without the prior official permission of HYOSUNG Corp.																					
1																					
2																					
3																					
4																					
5																					
E																					
D																					
C																					
B																					
A																					
UNIT																					
mm																					
SCALE																					
1/7.5																					
DATE																					
2011-11-28																					
REF. DWG. NO.																					
DDMK10825H01																					
DWG. NO.																					
DDMK10825H01																					