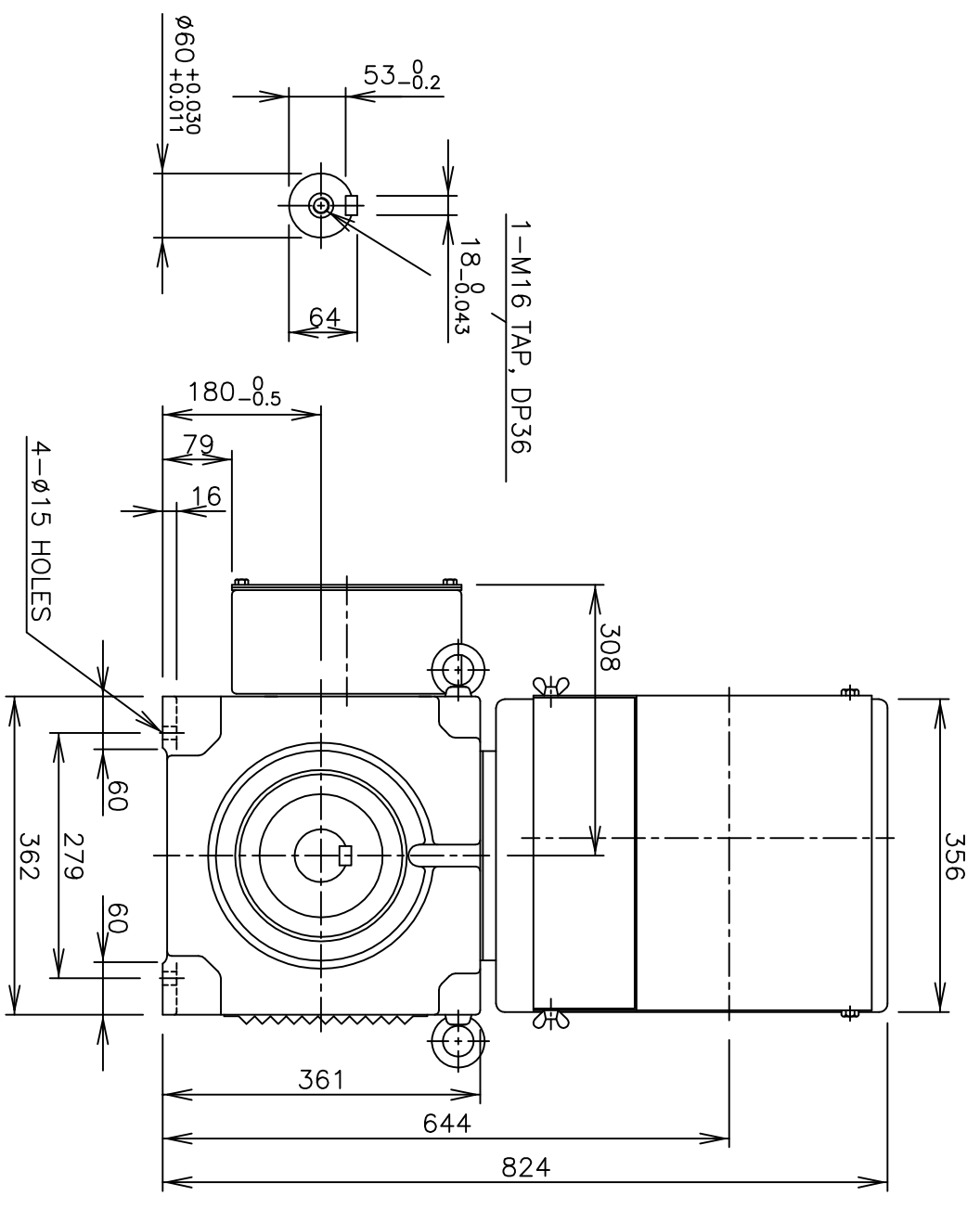
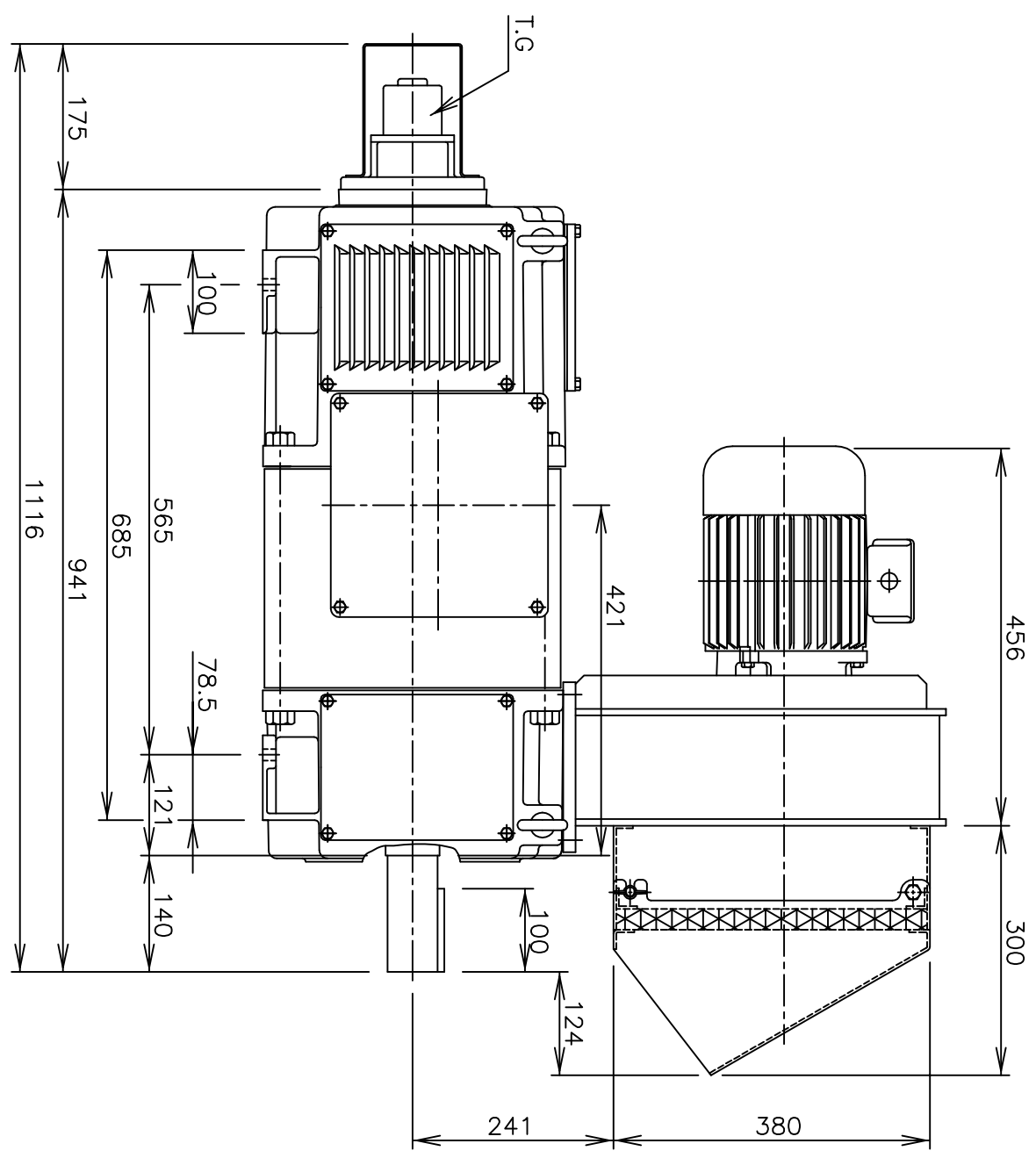


20H52801KMDD  
DWG. NO.

IT. NO.	NAME	MATERIAL	DWG. NO. MATERIAL COOD	Q'TY	SIZE	REMARKS
01						
02						
03						



TYPE DC MOTOR  
LAR180LC  
DWG. NAME OUTLINE DIMENSIONS  
OUTLINE DIMENSION

DRAWN	DESIGN	CHECKED	REVIEWED	APPROVED	REF. DWG. NO.	SCALE	1/8	DATE	2011-11-28	UNIT	mm



DWG. NO. DDMK10825H02

REVISION  
이 도면상에 표시된 정보는 (주)호성의 소유이며 양사의 사전 서면동의 없이 무단사용을 금합니다. The information written in this drawing is HOSUNG's property, and may not be disclosed and/or reproduced without the prior official permission of HOSUNG Corp.