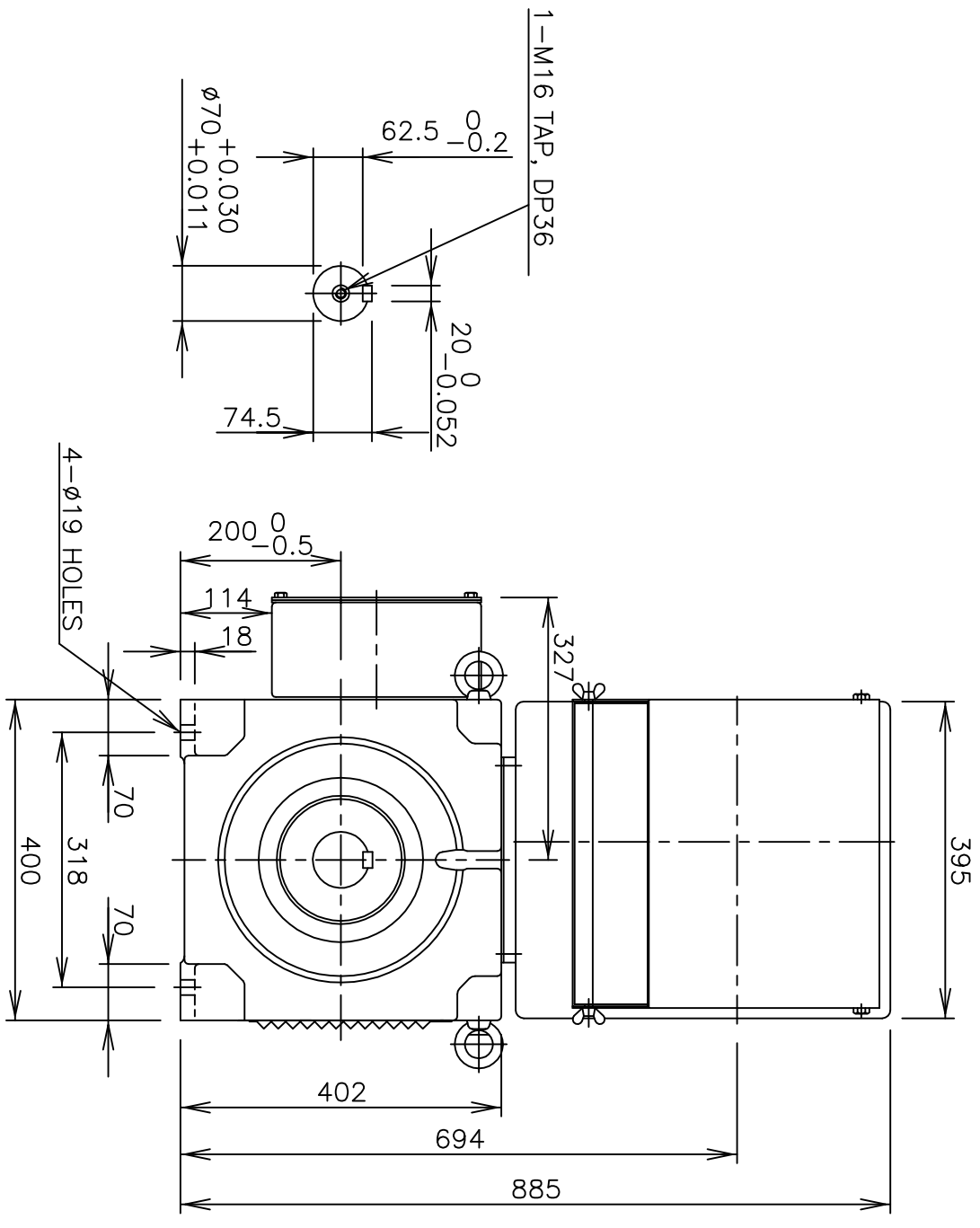
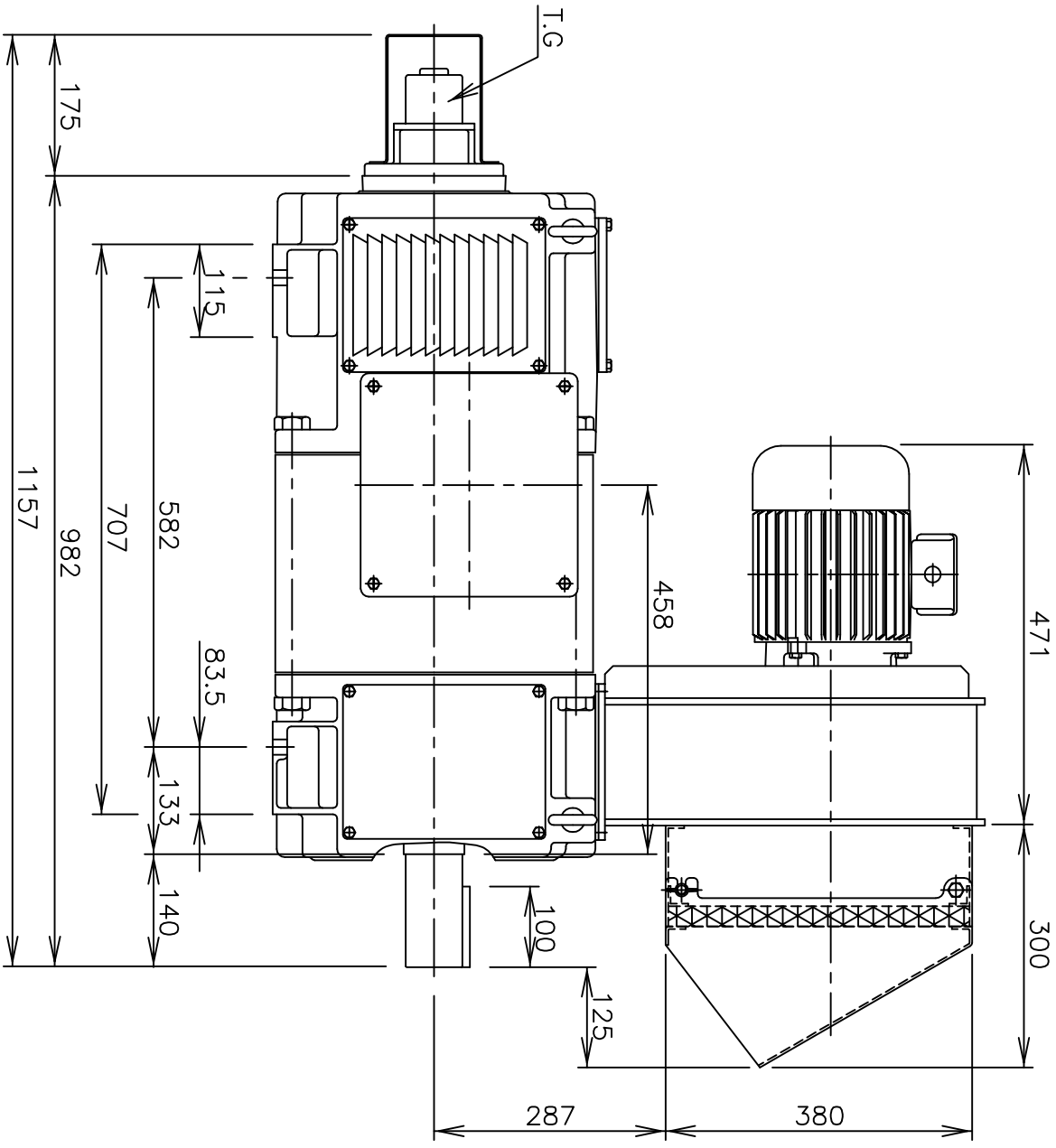


40H52801KMD
DWG. NO.

IT. NO	NAME	MATERIAL	DWG. NO. MATERIAL COOD	Q'TY	SIZE	REMARKS
01						
02						
03						



TYPE
DC MOTOR
LAR200LB

DWG. NAME
OUTLINE DIMENSION
OUTLINE DIMENSION

APPROVED	REVIEWED	CHECKED	DESIGN	DRAWN	REF. DWG. NO.	SCALE	DATE	UNIT
						1/8.5	2011-11-28	mm

<p>주식회사 HYSUNG CORPORATION</p>				DWG. NO.	DDMK10825H04
REVISION 이 도면상에 표시된 정보는 (주)효성의 소유이며 당사의 사전 서면동의 없이 무단사용을 금합니다. The information written in this drawing is HYSUNG's property, and may not be disclosed and/or reproduced without the prior official permission of HYSUNG Corp.					