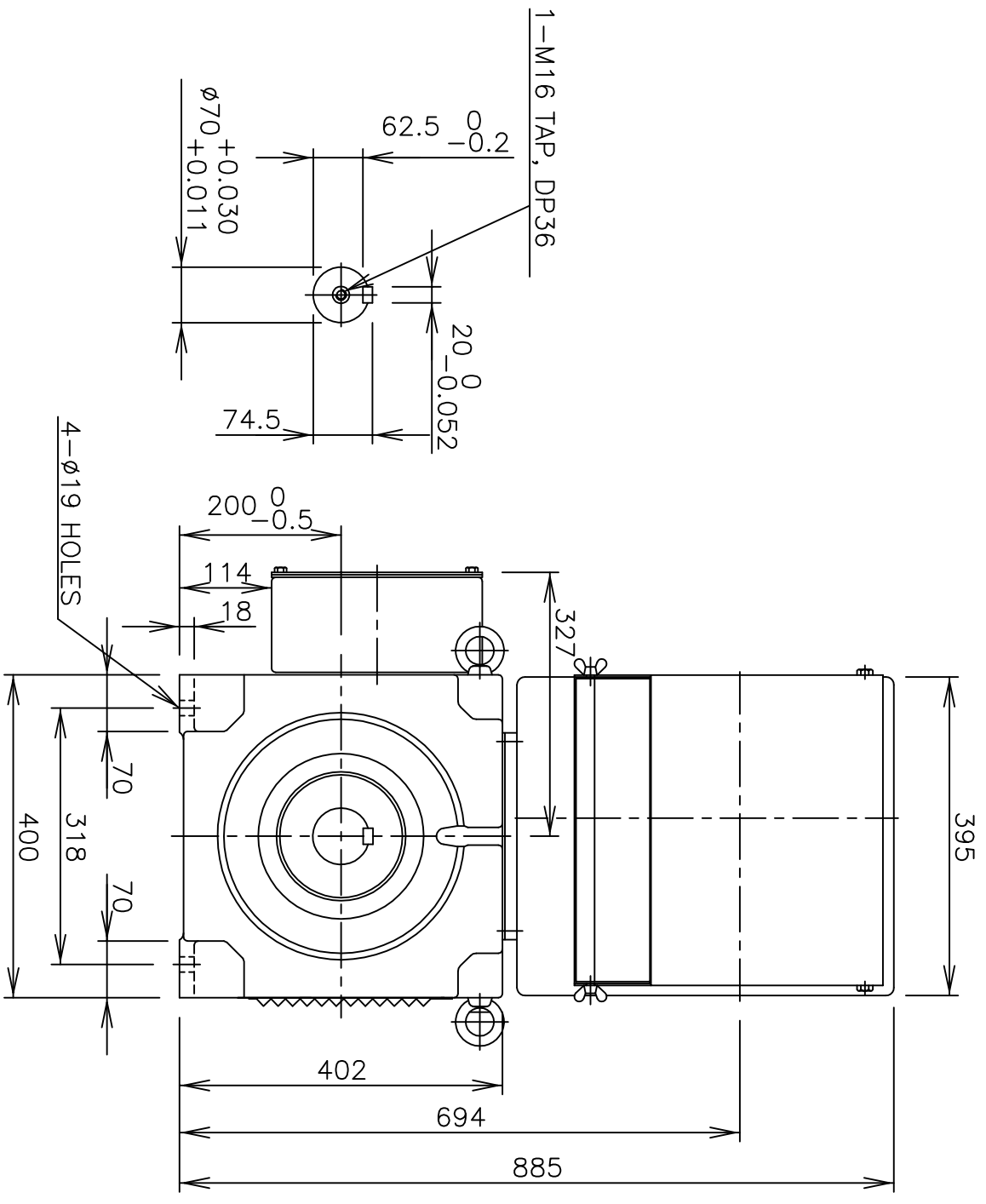
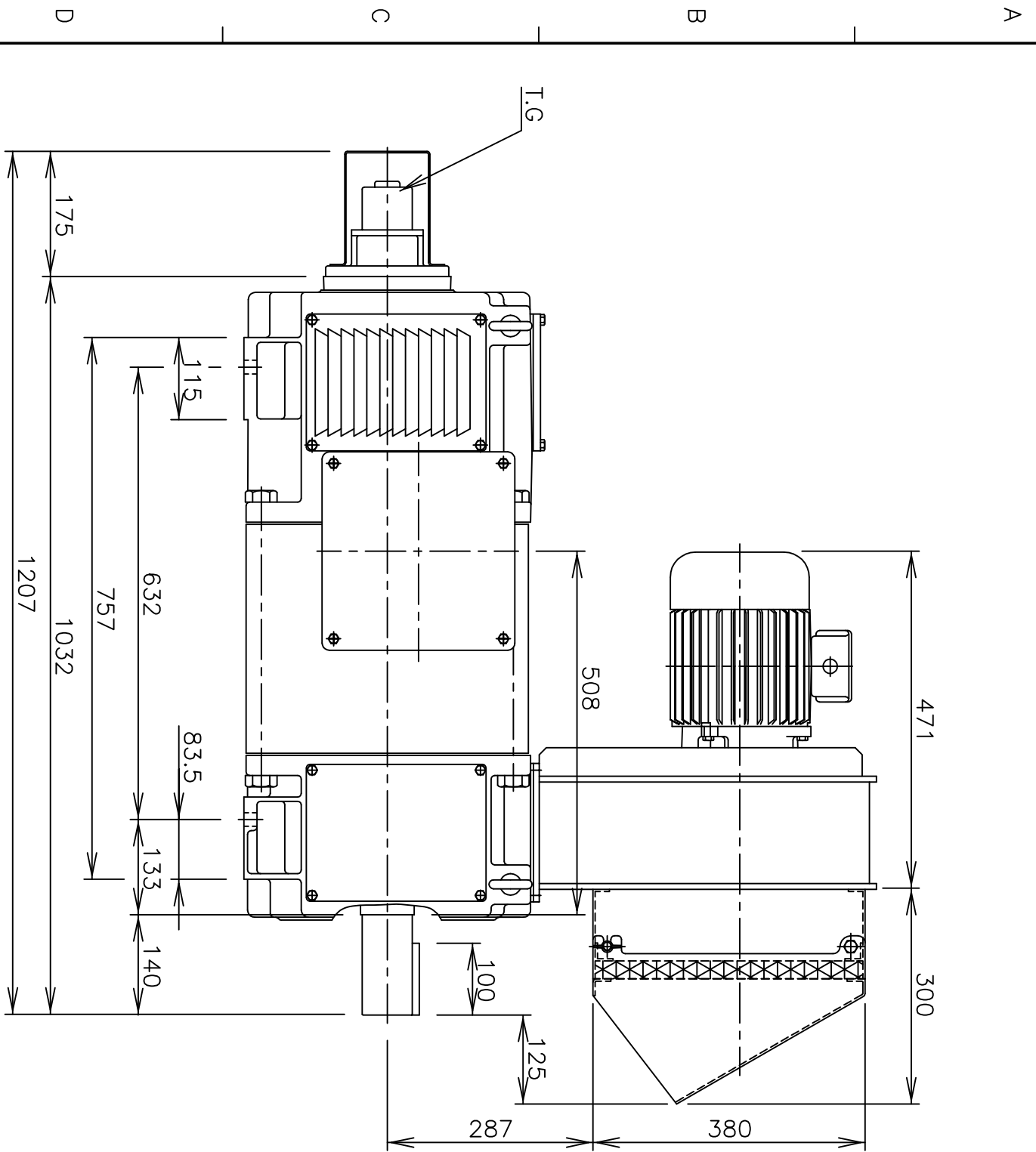


50H52801KMQD
DWG. NO.

IT. NO	NAME	MATERIAL	DWG. NO.	MATERIAL COOD	Q'TY	SIZE	REMARKS
01							



TYPE	DC MOTOR LAR200LC	DWG. NAME	OUTLINE DIMENSION OUTLINE DIMENSION
APPROVED	REVIEWED	CHECKED	DESIGN
DRAWN	REF. DWG. NO.	SCALE	1/8
DATE	2011-11-28	UNIT	mm

DWG. NO.	DDMK10825H05
REF. DWG. NO.	
SCALE	1/8
DATE	2011-11-28
UNIT	mm

REVISION

이 도면에 표시된 정보는 (주)호성의 소유이며 당사의 사전 서면동의 없이 무단사용을 금합니다. The information written in this drawing is HYOSUNG's property, and may not be disclosed and/or reproduced without the prior official permission of HYOSUNG Corp.