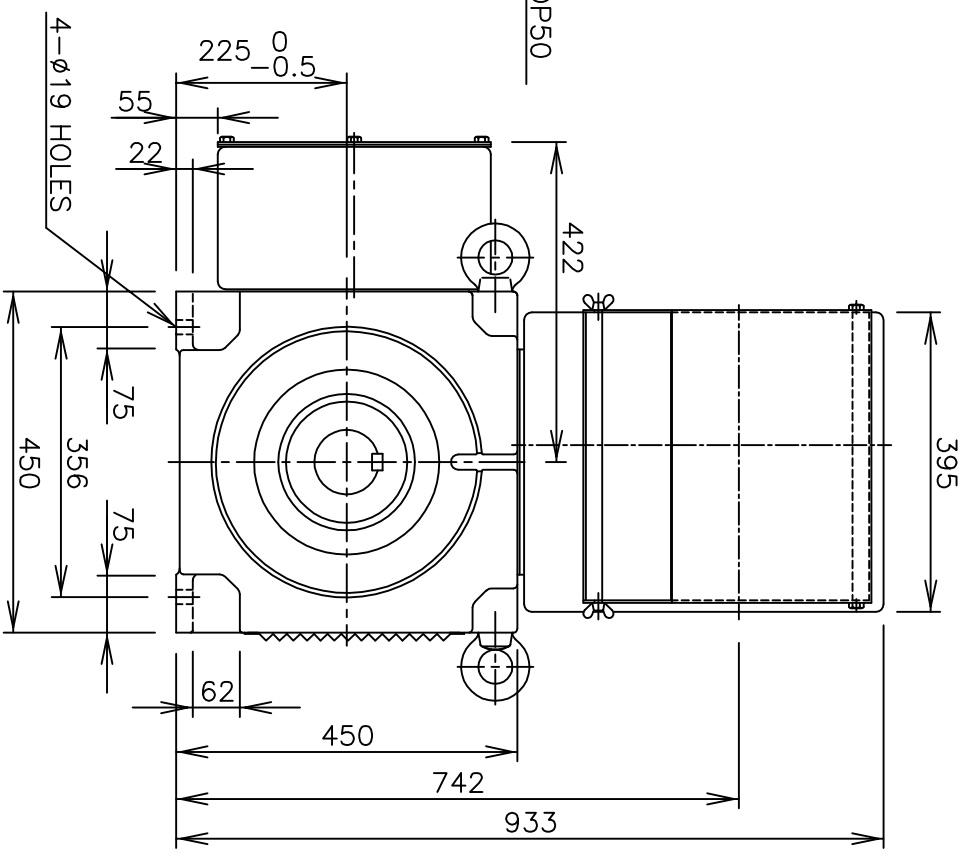
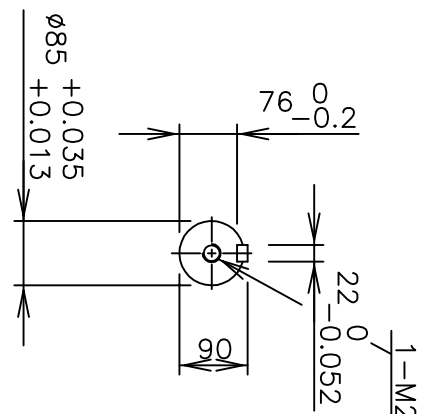
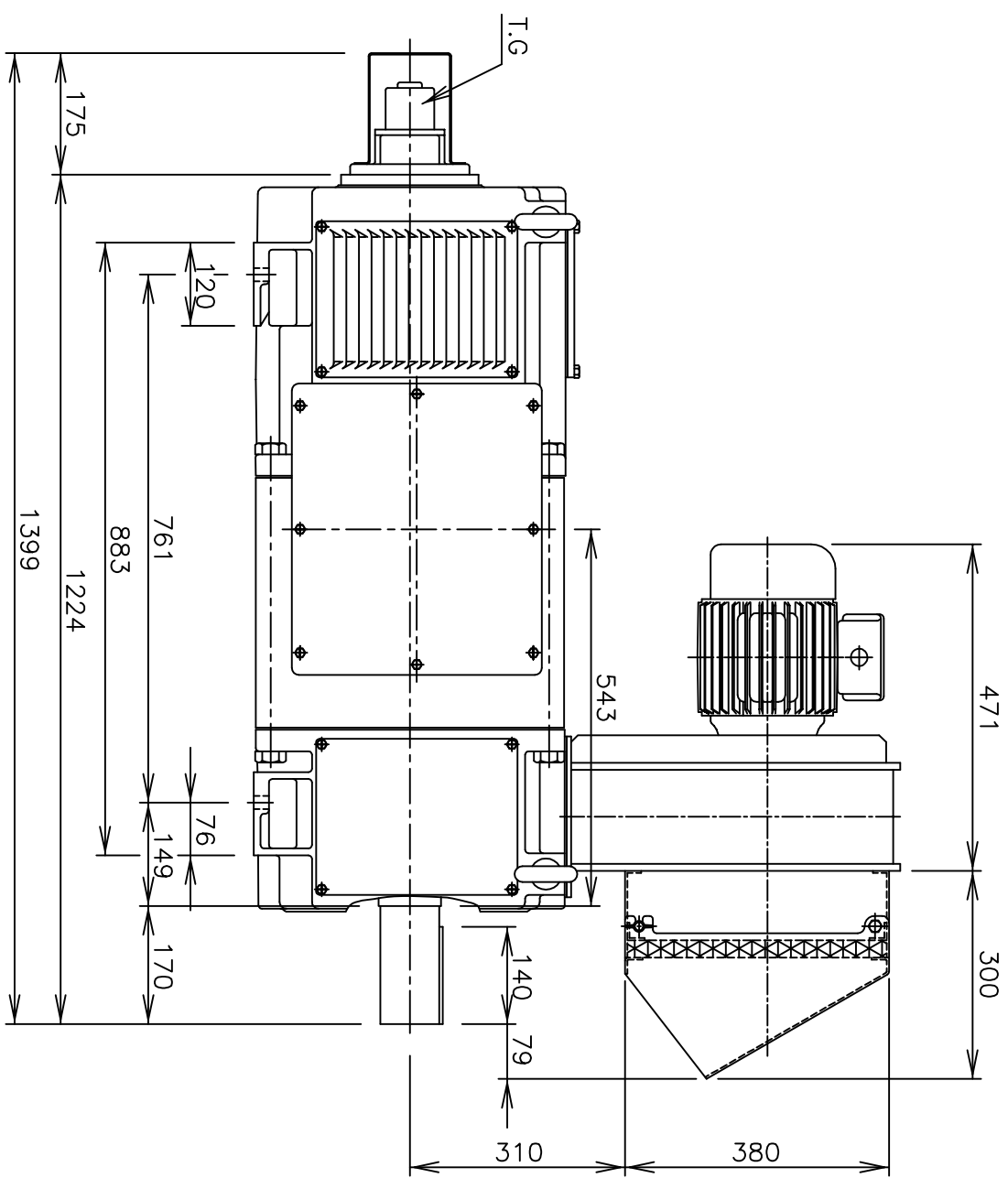


80H52801KWD
DWG. No.

IT. NO	NAME	MATERIAL	DWG. NO. MATERIAL COOD	Q'TY	SIZE	REMARKS
01						
02						
03						



TYPE
DC MOTOR
LAR225LC

DWG. NAME
OUTLINE DIMENSION

APPROVED	REVIEWED	CHECKED	DESIGN	DRAWN
----------	----------	---------	--------	-------

REF. DWG. NO.	SCALE	1/10	DATE	2011-11-28
---------------	-------	------	------	------------

UNIT	mm
------	----



DWG. NO. DDMK10825H08

REVISION

이 도면에 표시된 정보는 (주)효성의 소유이며 무단 사용의 경우 법적 책임을 지게 됩니다. The information written in this drawing is HYSUNG's property, and may not be disclosed and/or reproduced without the prior official permission of HYSUNG Corp.

1

2

3

4

94ACE-14-0100-3A3