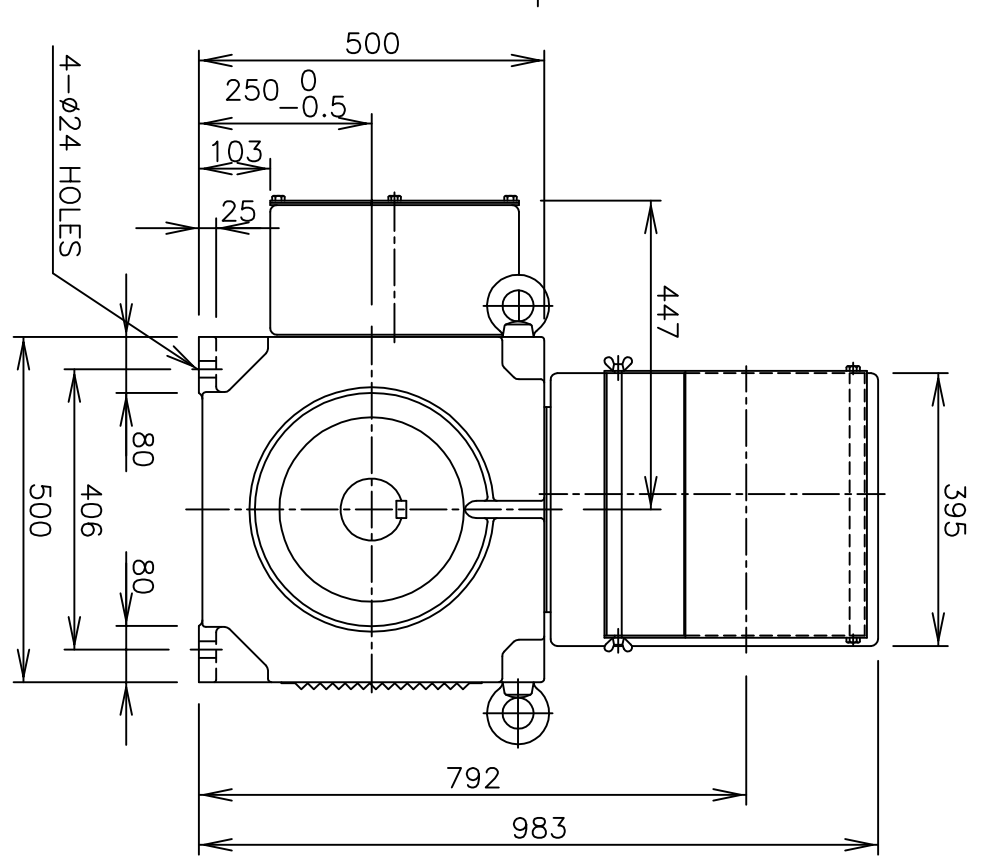
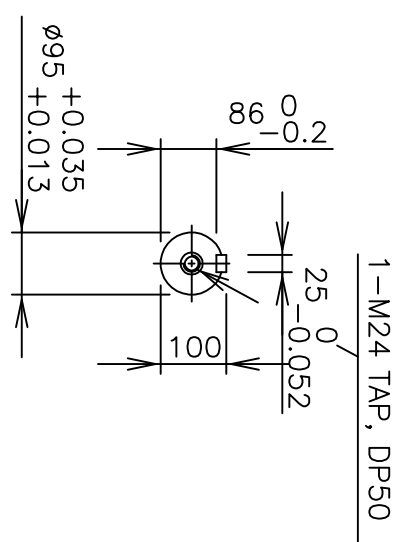
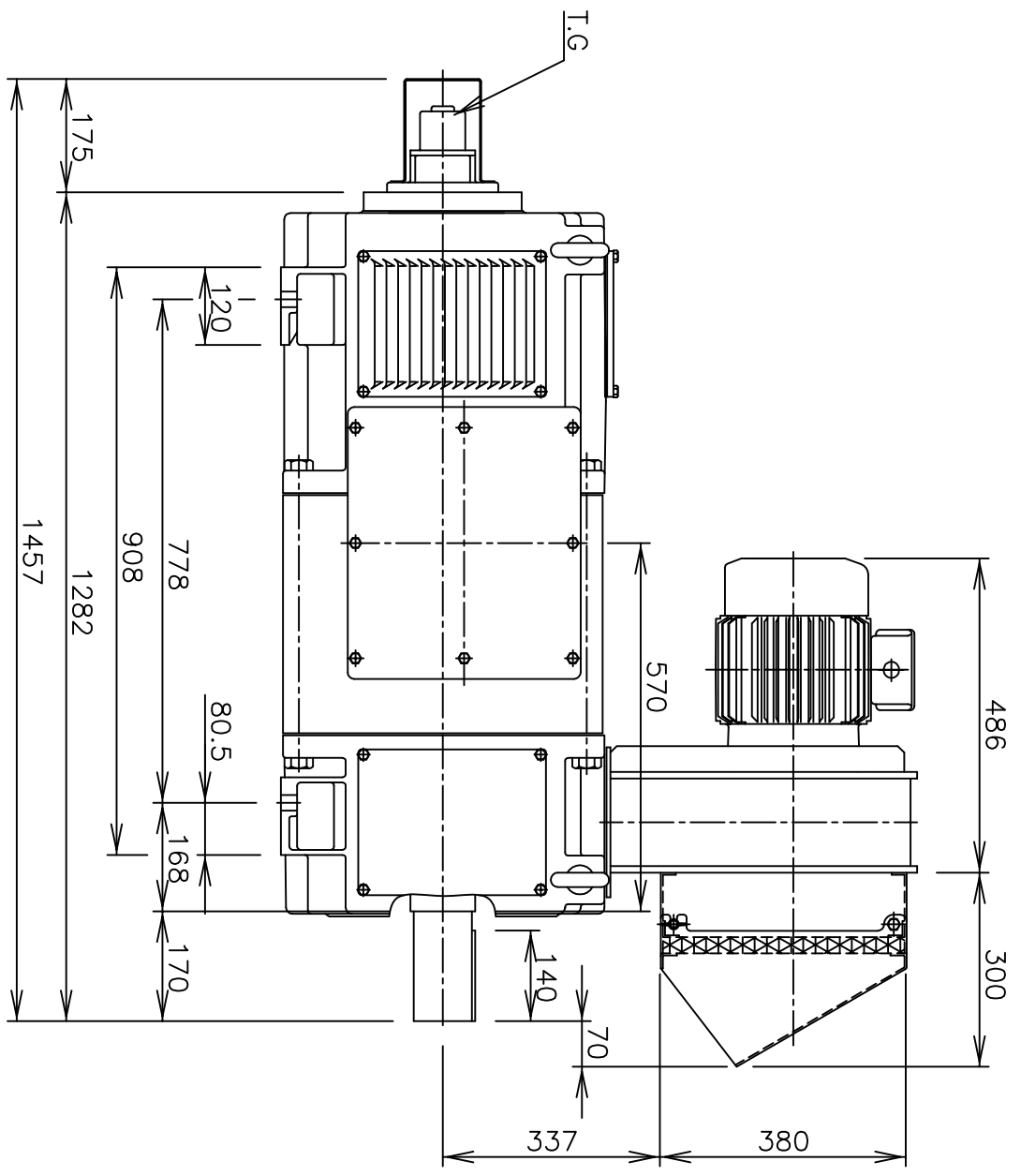


DDMK10825H10  
DWG. NO.

IT. NO.	NAME	MATERIAL	DWG. NO. MATERIAL COOD	Q'TY	SIZE	REMARKS
01						
02						
03						



TYPE DC MOTOR LAR250LB  
 DWG. NAME OUTLINE DIMENSIONS  
 OUTLINE DIMENSION

DRAWN	DESIGN	CHECKED	REVIEWED	APPROVED	REF. DWG. NO.	DWG. NO.	SCALE	DATE	UNIT
						DDMK10825H10	1/11	2011-11-28	mm



REVISION  
 이 도면에 표시된 정보는 (주)호성의 소유이며 회사의 사전 사후동의 없이 무단사용을 금합니다. The information written in this drawing is HOSUNG's property, and may not be disclosed and/or reproduced without the prior official permission of HOSUNG Corp.