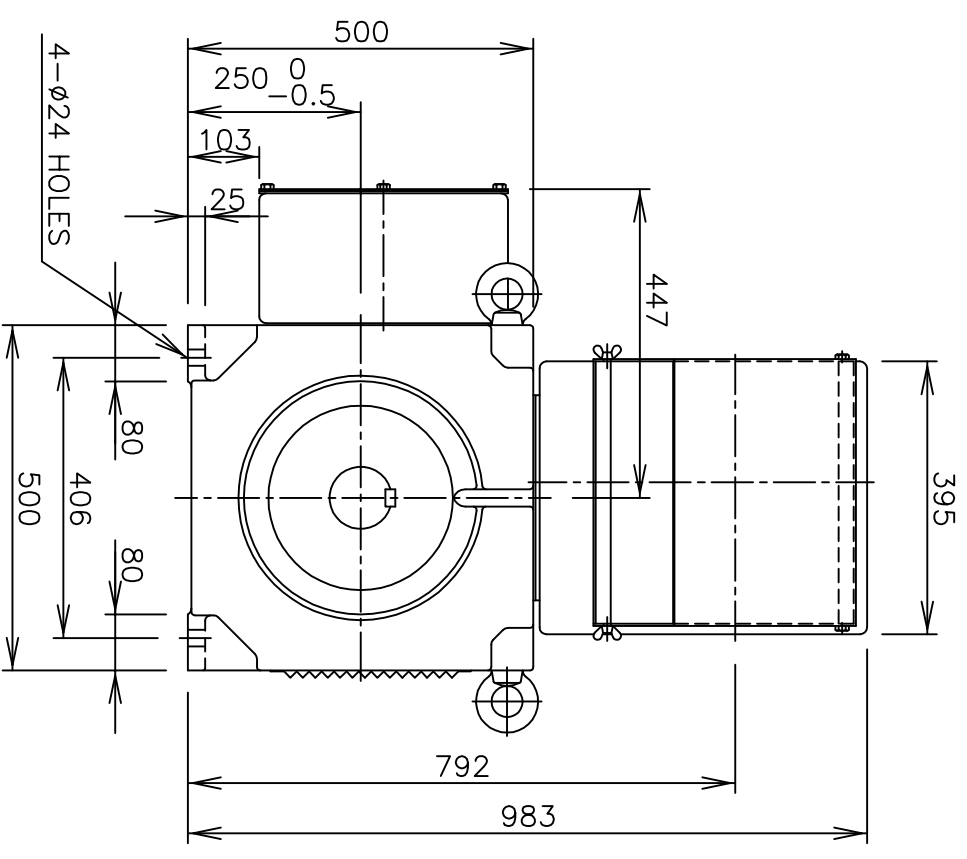
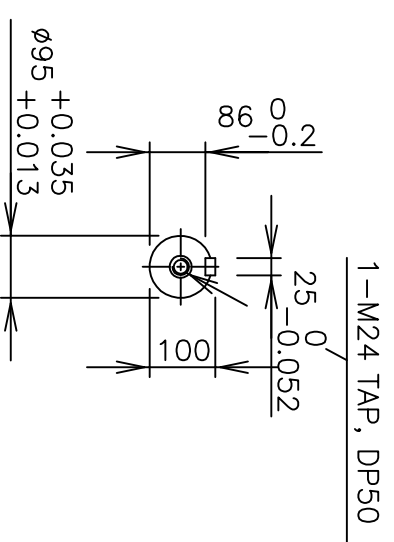
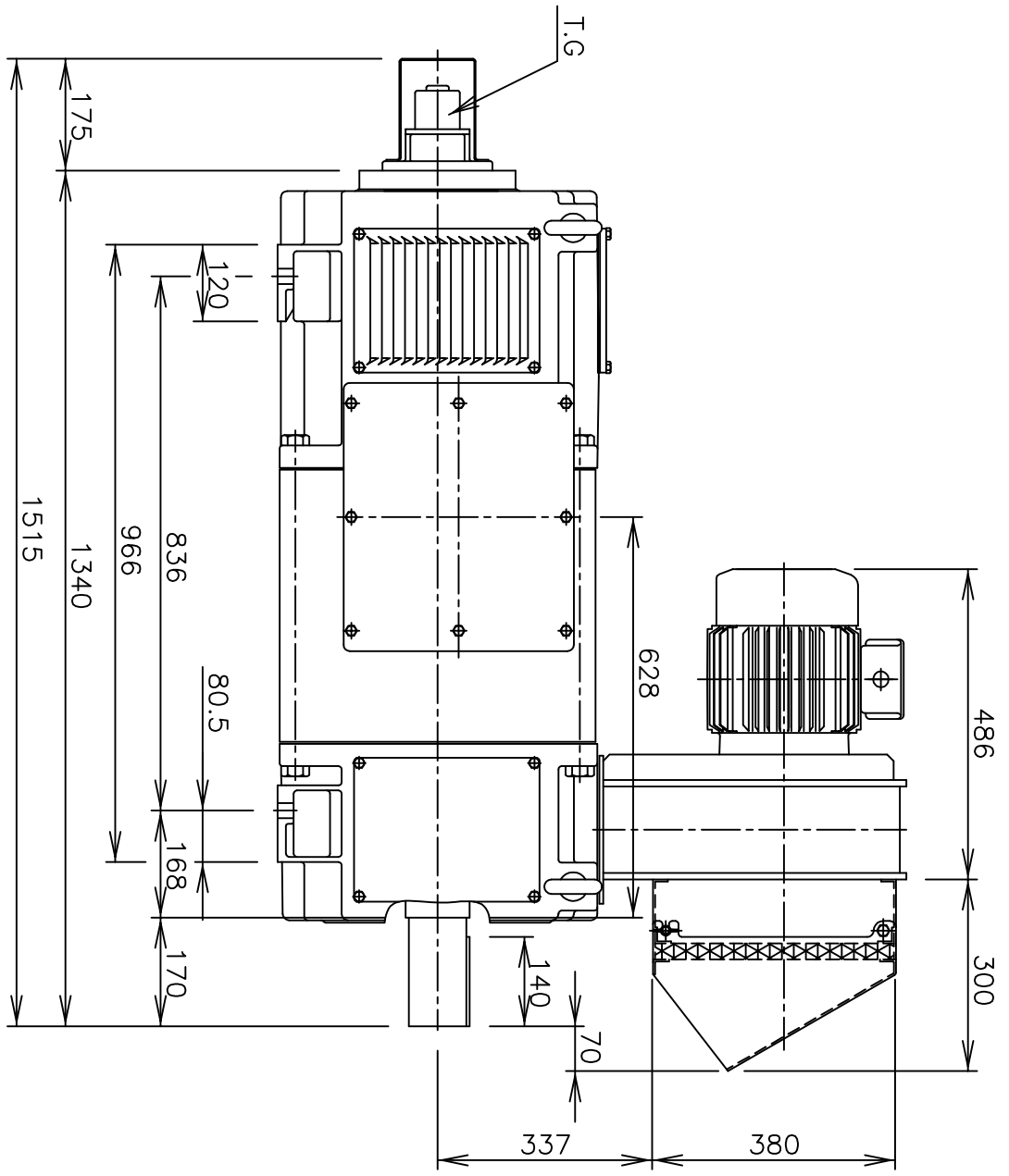


DDMK10825H11

DWG. NO.

IT. NO.	NAME	MATERIAL	DWG. NO. MATERIAL COOD	Q'TY	SIZE	REMARKS
01						
02						
03						



TYPE DC MOTOR LAR250LC

DWG. NAME OUTLINE DIMENSIONS

DRAWN	DESIGN	CHECKED	REVIEWED	APPROVED	REF. DWG. NO.	SCALE	DATE	UNIT
						1/11	2011-11-28	mm



DWG. NO. DDMK10825H11

REVISION

이 도면상에 표시된 정보는 (주)호성의 소유이며 회사의 사전 사인동의 없이 무단사용을 금합니다. The information written in this drawing is HOSUNG's property, and may not be disclosed and/or reproduced without the prior official permission of HOSUNG Corp.

1 2 3 4 5

양자CE-14-0100-3A3