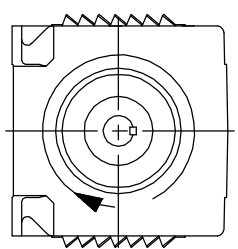
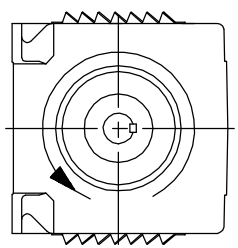


DWG. NO. 1 D 0 0 0 4 2 6

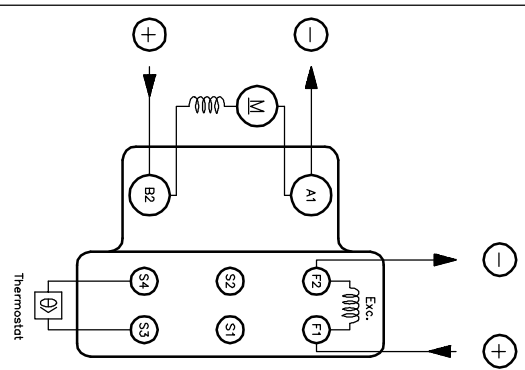
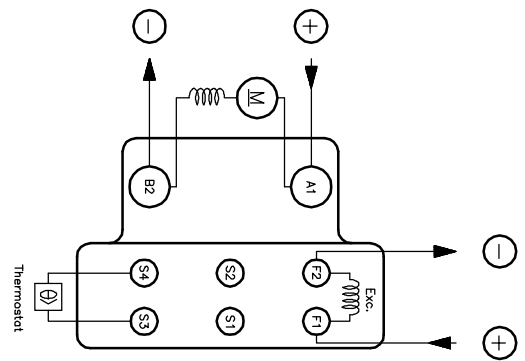
IT. NO.	NAME	MATERIAL	DWG. NO	Q'TY	SIZE	REMARKS
01						
02						
03						



Rotation : C.W



Rotation : C.C.W



TYPE D.C MOTOR
LAP
DWG. NAME TERMINAL DIAGRAM

APPR OVED	CHECK DESIGN	DRAWN	THIRD ANGLE PROJECTION	SCALE	N / S	DATE: 05.08.31
<i>g.s. gow</i>	<i>g.s. gow</i>	<i>g.s. gow</i>				
REF. DWG. NO.						

DATE	MARK	REMARK	DSGN	CHK	APRD



HYOSUNG CORPORATION
DWG. NO. 1 D 0 0 0 4 2 6